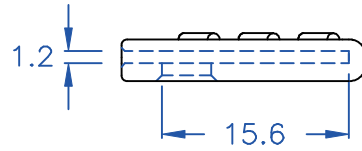
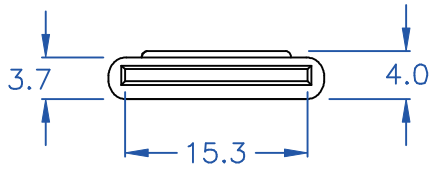
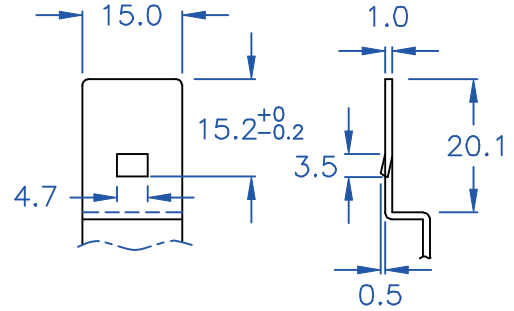
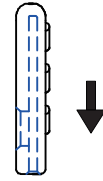


◎ASSEMBLY PART



- ◎Halogen Free 低鹵
- ◎ROHS 2.0
- ◎ROHS 六項 compliant

DRAW NO. PGAS032937 GJS

PLASTIC TOLERANCE:		
L ≤ 10	±0.2	
10 < L ≤ 30	±0.3	
30 < L ≤ 50	±0.5	
50 < L ≤ 100	±0.7	
100 < L ≤ 250	±1.2	
ABOVE 250	±1.5	

網頁圖示供參考, 最終以品固公司正式圖面為主
The plastic tolerance is just for your reference; all the measurements and dimensions are according to the "DATA SHEET" issued by PINGOOD.



品固企業股份有限公司
品基電子(東莞)有限公司
蘇州品基電子科技有限公司
東莞市鈺隆商貿有限公司
鑽隆有限公司
PINGOOD ENTERPRISE CO.,LTD.

MATERIAL:
ABS+PC V0 or EQUIVALENT
COLOR: GREEN(PANTONE 369C)

PART NAME:
把手蓋
EJECTOR COVER

A SIZE	VERSION
	2A

PART NO:
MHL-24QM-A9H

SHEET 1 OF 1

	UNIT	SCALE
	mm	