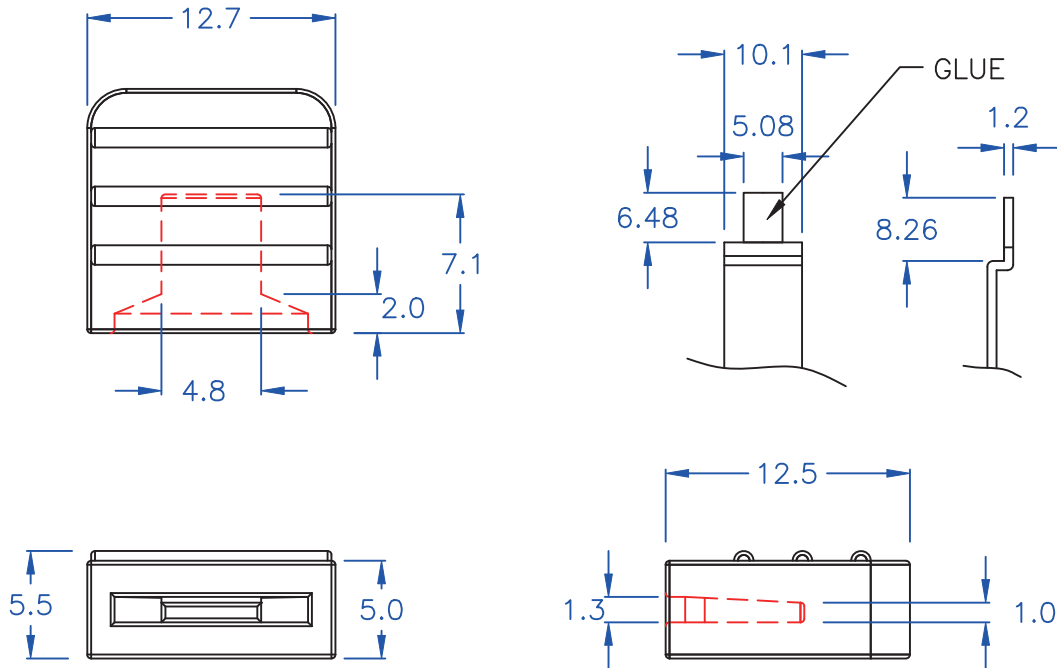


◎ ASSEMBLY PART



- 1.符合歐盟規範
- ◎ 鎘 (Cd)<100ppm
- ◎ 鉛 (Pb)<1000ppm
- ◎ 汞 (Hg)<1000ppm
- ◎ 六價鉻 (Cr6+)<1000ppm
- ◎ 多溴聯苯類 (PBBs)<1000ppm
- ◎ 多溴聯苯醚類 (PBDEs)<1000ppm
- 2.有鹵

DRAW NO. PGAS029195

GJS

PLASTIC TOLERANCE:

L ≤ 10	±0.2
10 < L ≤ 30	±0.3
30 < L ≤ 50	±0.5
50 < L ≤ 100	±0.7
100 < L ≤ 250	±1.2
ABOVE 250	±1.5

網頁圖示供參考,最終以品固公司正式圖面為主  
The plastic tolerance is just for your reference; all the measurements and dimensions are according to the "DATA SHEET" issued by PINGOOD.

MATERIAL: SANTOPRENE 251-70  
or EQUIVALENT

COLOR: BLACK

試片硬度: 75°



品固企業股份有限公司  
品基電子(東莞)有限公司  
蘇州品基電子科技有限公司  
東莞市鑽隆商貿有限公司  
PINGOOD ENTERPRISE CO.,LTD.

PART NAME:

把手蓋  
EJECTOR COVER

PART NO:

MHL-22-RYB

A

SIZE

VERSION

1A

SHEET 1 OF 1



UNIT	SCALE
mm	

表單號碼QF135