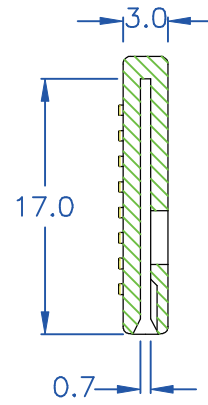
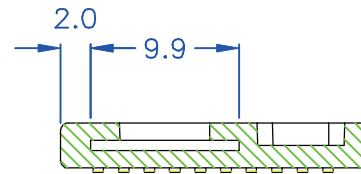


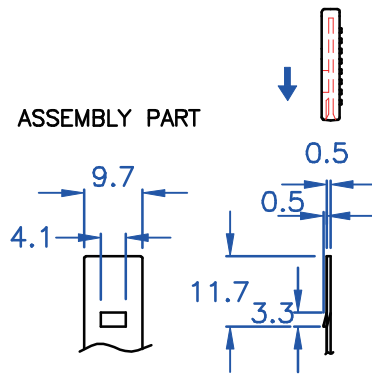
剖面圖 A-A



剖面圖 B-B



ASSEMBLY PART



DRAW NO. PGAS020369

GJS

PLASTIC TOLERANCE:

$L \leq 10$	± 0.2
$10 < L \leq 30$	± 0.3
$30 < L \leq 50$	± 0.5
$50 < L \leq 100$	± 0.7
$100 < L \leq 250$	± 1.2
ABOVE 250	± 1.5

網頁圖示供參考,最終以品固公司正式圖面為主
The plastic tolerance is just for your reference; all the measurements and dimensions are according to the "DATA SHEET" issued by PINGOOD.



品固企業股份有限公司
品基電子(東莞)有限公司
蘇州品基電子科技有限公司
鑽隆有限公司
PINGOOD ENTERPRISE CO.,LTD.

MATERIAL: ABS+PC or EQUIVALENT

COLOR: GREEN (PANTONE 369C)

PART NAME:

把手蓋
EJECTOR COVER

A
SIZE

VERSION

1

PART NO:

MHL-18FR-QJH

SHEET 1 OF 1

	UNIT	SCALE
	mm	