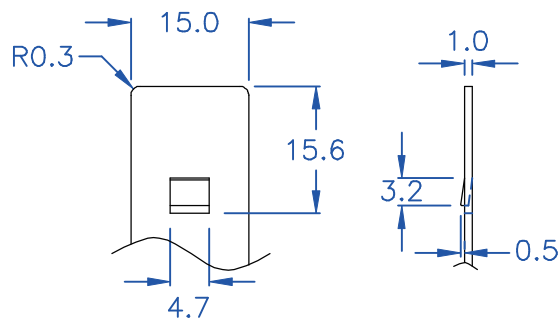




◎ ASSEMBLY PART



- ◎Halogen Free 低鹵
- ◎ROHS 2.0
- ◎ROHS 六項 compliant

DRAW NO. PGAS033407 GJS

PLASTIC TOLERANCE: L≤10 ±0.2 10<L≤30 ±0.3 30<L≤50 ±0.5 50<L≤100 ±0.7 100<L≤250 ±1.2 ABOVE 250 ±1.5	網頁圖示供參考, 最終以品固公司正式圖面為主 The plastic tolerance is just for your reference; all the measurements and dimensions are according to the "DATA SHEET" issued by PINGOOD.		 品固企業股份有限公司 品基電子(東莞)有限公司 蘇州品基電子科技有限公司 東莞市鑽隆商貿有限公司 鑽隆有限公司 PINGOOD ENTERPRISE CO.,LTD.	PART NAME: 把手蓋 EJECTOR COVER		A SIZE 1	VERSION
	MATERIAL: ABS+PC V0 or EQUIVALENT			PART NO: MHL-18DF-A9Y9			1
	COLOR: BLUE					SHEET 1 OF 1	
	UNIT	SCALE					
	mm						