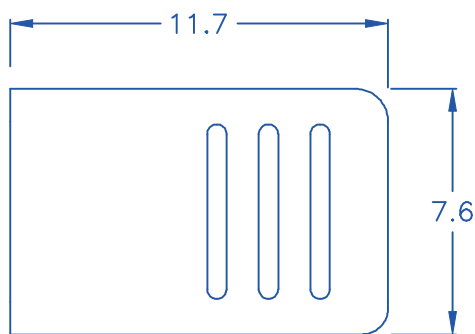
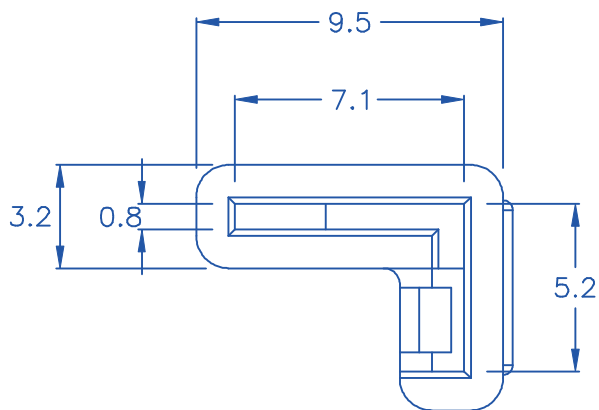


ASSEMBLY PART



©Halogen Free
 ©ROHS compliant

DRAW NO. PGAS020078 GJS

PLASTIC TOLERANCE:	
L ≤ 10	±0.2
10 < L ≤ 30	±0.3
30 < L ≤ 50	±0.5
50 < L ≤ 100	±0.7
100 < L ≤ 250	±1.2
ABOVE 250	±1.5

網頁圖示供參考，最終以品固公司正式圖面為主
 The plastic tolerance is just for your reference; all the measurements and dimensions are according to the "DATA SHEET" issued by PINGOOD.

MATERIAL: N66 V2 or EQUIVALENT

COLOR: BLUE PANTONE:7452C



品固企業股份有限公司
 品基電子(東莞)有限公司
 蘇州品基電子科技有限公司
 鑽隆有限公司
 PINGOOD ENTERPRISE CO.,LTD.

PART NAME:

把手蓋
 EJECTOR COVER

A SIZE	VERSION
	1

PART NO:

MHL-16-N2Y4

SHEET 1 OF 1

	UNIT	SCALE
	mm	