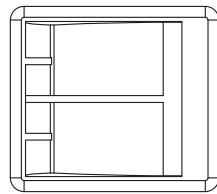
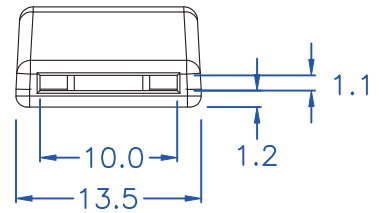
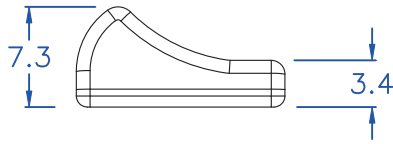
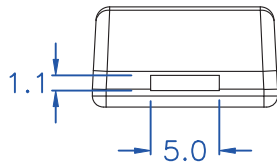
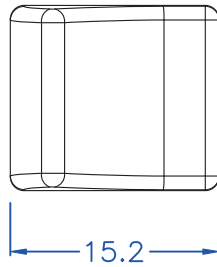
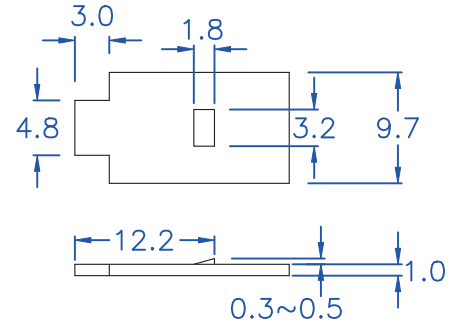


◎裝配板尺寸：



- ◎Halogen Free 低鹵
- ◎ROHS 2.0
- ◎ROHS 六項 compliant

DRAW NO. PGAS030435

GJS

**PLASTIC TOLERANCE:**

|               |      |
|---------------|------|
| L ≤ 10        | ±0.2 |
| 10 < L ≤ 30   | ±0.3 |
| 30 < L ≤ 50   | ±0.5 |
| 50 < L ≤ 100  | ±0.7 |
| 100 < L ≤ 250 | ±1.2 |
| ABOVE 250     | ±1.5 |

網頁圖示供參考，最終以品固公司正式圖面為主  
The plastic tolerance is just for your reference; all the measurements and dimensions are according to the "DATA SHEET" issued by PINGOOD.

**MATERIAL:** ABS+PC or EQUIVALENT

**COLOR:** BLACK

**PART NAME:**

把手蓋  
EJECTOR COVER

**PART NO.:**

MHL-15KD-QHB

A  
SIZE

VERSION

1

SHEET 1 OF 1

|  |      |       |
|--|------|-------|
|  | UNIT | SCALE |
|  | mm   |       |