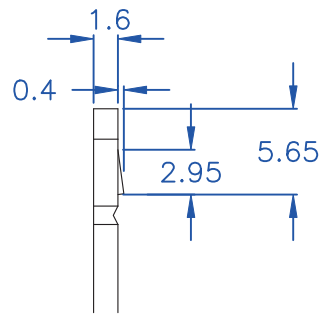
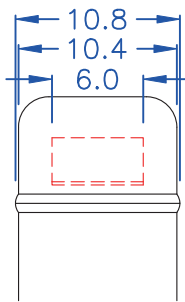

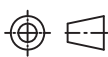


◎ ASSEMBLY PART



- ◎Halogen Free 低鹵
- ◎ROHS 2.0
- ◎ROHS 六項 compliant

DRAW NO. PGAS028320 GJS

PLASTIC TOLERANCE: L≤10 ±0.2 10<L≤30 ±0.3 30<L≤50 ±0.5 50<L≤100 ±0.7 100<L≤250 ±1.2 ABOVE 250 ±1.5		網頁圖示供參考,最終以品固公司正式圖面為主 The plastic tolerance is just for your reference; all the measurements and dimensions are according to the "DATA SHEET" issued by PINGOOD.		 品固企業股份有限公司 品基電子(東莞)有限公司 蘇州品基電子科技有限公司 東莞市鑽隆商貿有限公司 PINGOOD ENTERPRISE CO.,LTD.	
MATERIAL: N66 V2 or EQUIVALENT COLOR: BLACK		PART NAME: 把手蓋 EJECTOR COVER			
 UNIT mm		SCALE /		PART NO: MHL-12YW-N2B	
SHEET 1 OF 1 表單號碼QF135					