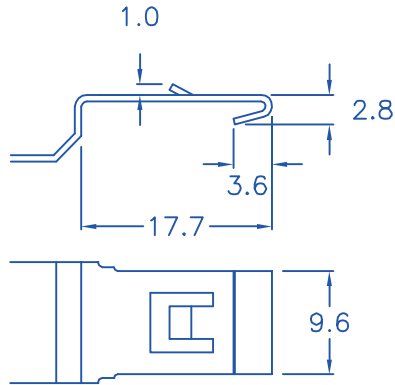


◎ ASSEMBLY PART



◎ ROHS compliant

DRAW NO. PGAS014920

GJS

PLASTIC TOLERANCE:

L < 10	±0.3
L ≥ 10	±0.5
ABOVE 80	±1.0

網頁圖示供參考, 最終以品固公司正式圖面為主  
The plastic tolerance is just for your reference; all the measurements and dimensions are according to the "DATA SHEET" issued by PINGOOD.



品固企業股份有限公司  
品基電子(東莞)有限公司  
蘇州品基電子科技有限公司  
鑽隆有限公司  
PINGOOD ENTERPRISE CO.,LTD.

MATERIAL: TPE  
COLOR: ORANGE(PJ0175)

PART NAME:  
把手蓋  
EJECTOR COVER

A	VERSION
	1A
SIZE	

試片硬度: 75°±10°

PART NO:  
MHL-10-TST

SHEET 1 OF 1

	UNIT	SCALE
	mm	