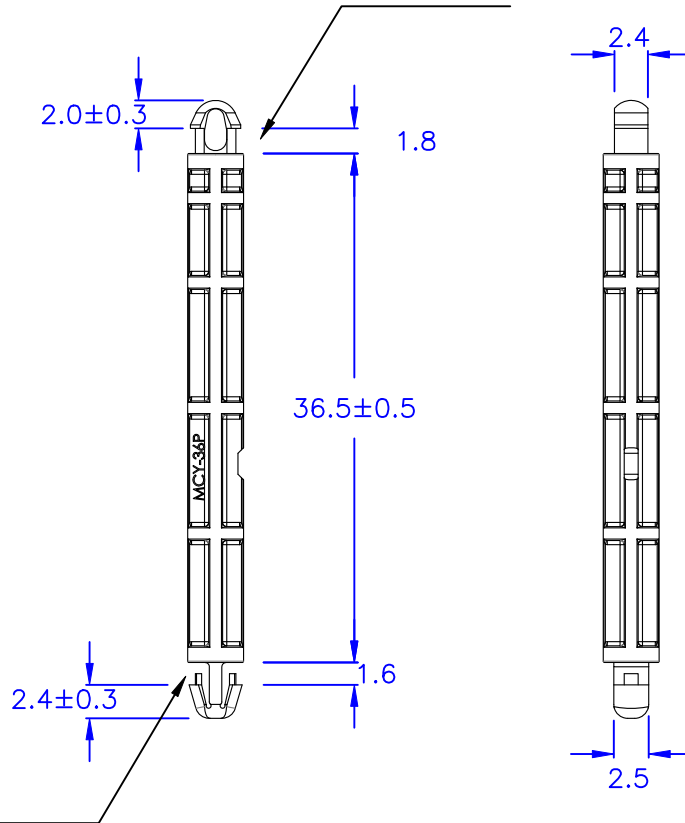


◎ HOLE IN CHASSIS: $\phi 3.0$
 ◎ CHASSIS THICKNESS: 1.6 mm



◎ HOLE IN CHASSIS: $\phi 3.0$
 ◎ CHASSIS THICKNESS: 1.2 mm

◎ Halogen Free 低鹵
 ◎ ROHS 2.0
 ◎ ROHS 六項 compliant

DRAW NO. PGAS029415 | GJS

PLASTIC TOLERANCE: L ≤ 10 ±0.2 10 < L ≤ 30 ±0.3 30 < L ≤ 50 ±0.5 50 < L ≤ 100 ±0.7 100 < L ≤ 250 ±1.2 ABOVE 250 ±1.5	網頁圖示供參考,最終以品固公司正式圖面為主 The plastic tolerance is just for your reference; all the measurements and dimensions are according to the "DATA SHEET" issued by PINGOOD.	
	MATERIAL: N66 V2 or EQUIVALENT	
	COLOR: NATURAL	
		UNIT mm



品固企業股份有限公司
 品基電子(東莞)有限公司
 蘇州品基電子科技有限公司
 東莞市鑽隆商貿有限公司
 PINGOOD ENTERPRISE CO.,LTD.

PART NAME: P.C. 板間隔柱 SPACER SUPPORT	VERSION A SIZE 1
PART NO: MCY-36P-N2W	
SHEET 1 OF 1	

表單號碼QF135