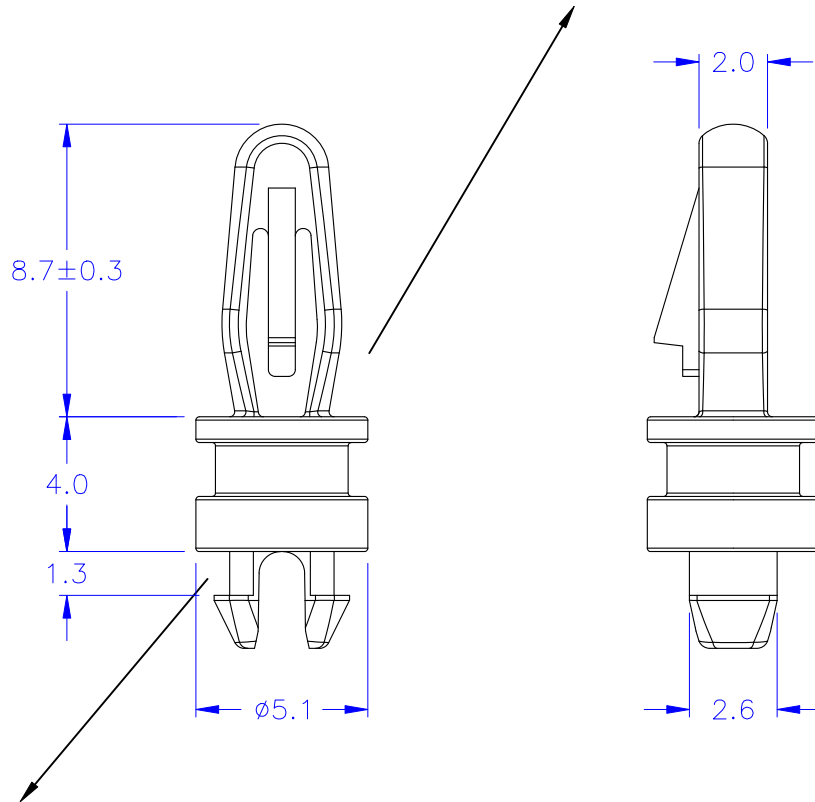


◎ HOLE IN CHASSIS:  $\phi 3.2^{+0.05}_0$  mm

◎ CHASSIS THICKNESS:  $1.6^{+0.2}_0$  mm



◎ HOLE IN CHASSIS:  $\phi 3.2^{+0.05}_0$  mm

◎ CHASSIS THICKNESS:  $1.0^{+0.2}_0$  mm

◎ Halogen Free 低鹵

◎ ROHS 2.0

◎ ROHS 六項 compliant

DRAW NO. PGAS036371

GJS

**PLASTIC TOLERANCE:**

$L \leq 10$	$\pm 0.2$
$10 < L \leq 30$	$\pm 0.3$
$30 < L \leq 50$	$\pm 0.5$
$50 < L \leq 100$	$\pm 0.7$
$100 < L \leq 250$	$\pm 1.2$
ABOVE 250	$\pm 1.5$

網頁圖示供參考, 最終以品固公司正式圖面為主

The plastic tolerance is just for your reference; all the measurements and dimensions are according to the "DATA SHEET" issued by PINGOOD.

**MATERIAL: N66 V2 or EQUIVALENT**

**COLOR: NATURAL**



品固企業股份有限公司  
品基電子(東莞)有限公司  
蘇州品基電子科技有限公司  
東莞市鑽隆商貿有限公司  
鑽隆有限公司  
PINGOOD ENTERPRISE CO.,LTD.

PART NAME:

**P.C. 板間隔柱  
SPACER SUPPORT**

**A**  
SIZE

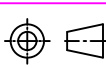
VERSION

1

PART NO:

**MCX-4GR-N2W**

SHEET 1 OF 1



UNIT	SCALE
mm	