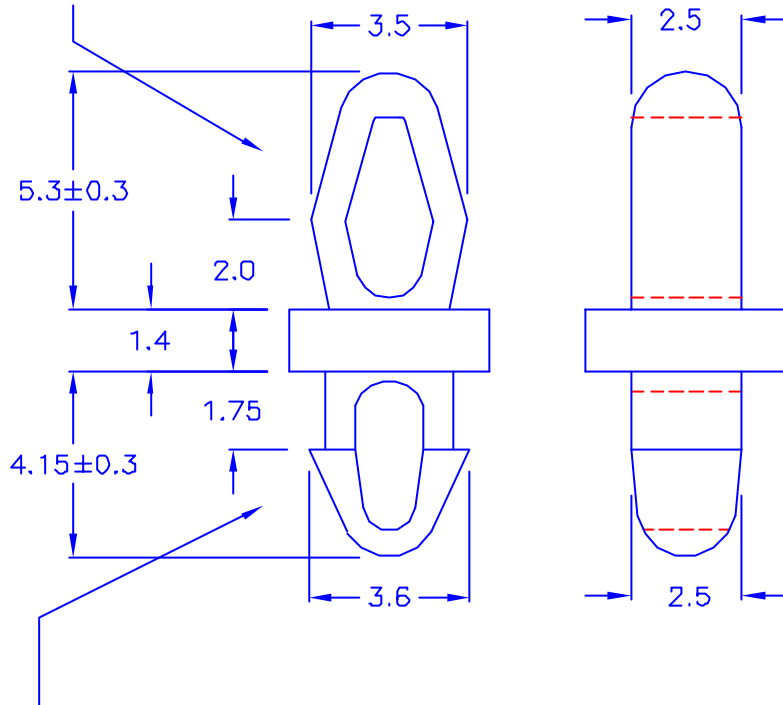


◎ CHASSIS THICKNESS: 1.4~1.6 mm

◎ HOLE IN P.C.B:  $\varnothing 3.0$



◎ CHASSIS THICKNESS: 1.45~1.6 mm

◎ HOLE IN P.C.B:  $\varnothing 3.0$

◎ ROHS compliant

DRAW NO. PGAS011188 C

GJS

PLASTIC TOLERANCE:	
L ≤ 10	±0.2
10 < L ≤ 30	±0.3
30 < L ≤ 50	±0.5
50 < L ≤ 100	±0.7
100 < L ≤ 250	±1.2
ABOVE 250	±1.5

網頁圖示供參考, 最終以品固公司正式圖面為主  
The plastic tolerance is just for your reference; all the measurements and dimensions are according to the "DATA SHEET" issued by PINGOOD.



品固企業股份有限公司  
品基電子(東莞)有限公司  
蘇州品基電子科技有限公司  
鑽隆有限公司  
PINGOOD ENTERPRISE CO.,LTD.

MATERIAL: N66 V2 or EQUIVALENT  
COLOR: NATURAL

PART NAME:

PC板間隔柱  
SPACER SUPPORT

A

REV.

SIZE

2

PART NO:

MCM-2A-N2W

SHEET 1 OF 1

UNIT	SCALE
mm	

EF0404505