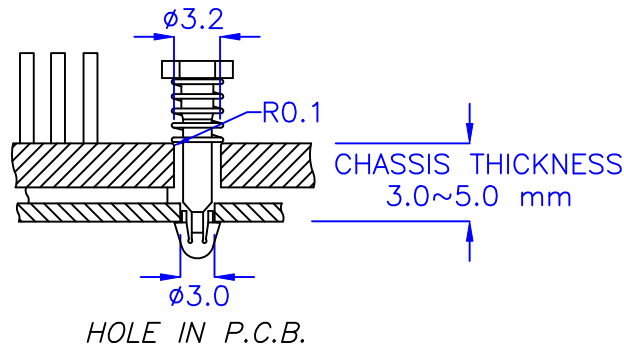


◎ HOLE IN HEAT SINK



◎Halogen Free 低鹵

DRAW NO. PGAS033134

GJS

PLASTIC TOLERANCE:

|               |      |
|---------------|------|
| L ≤ 10        | ±0.2 |
| 10 < L ≤ 30   | ±0.3 |
| 30 < L ≤ 50   | ±0.5 |
| 50 < L ≤ 100  | ±0.7 |
| 100 < L ≤ 250 | ±1.2 |
| ABOVE 250     | ±1.5 |

網頁圖示供參考,最終以品固公司正式圖面為主  
The plastic tolerance is just for your reference; all the measurements and dimensions are according to the "DATA SHEET" issued by PINGOOD.

MATERIAL: N66 V2 or EQUIVALENT

SPRING

COLOR: NATURAL



品固企業股份有限公司  
品基電子(東莞)有限公司  
蘇州品基電子科技有限公司  
東莞市鑽隆商貿有限公司  
PINGOOD ENTERPRISE CO.,LTD.

PART NAME:

散熱片鉚釘  
MOUNTING BUTTON

A  
SIZE

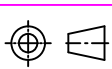
VERSION

1B

PART NO:

MB-17C-WNW33

SHEET 1 OF 1



|      |       |
|------|-------|
| UNIT | SCALE |
| mm   |       |