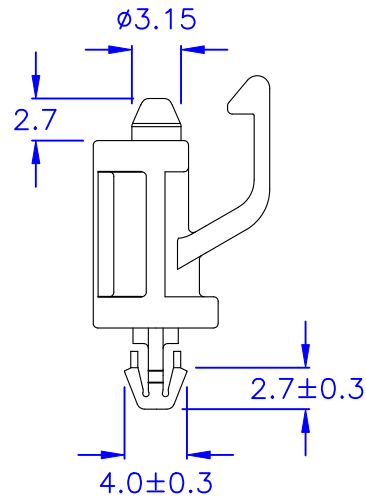
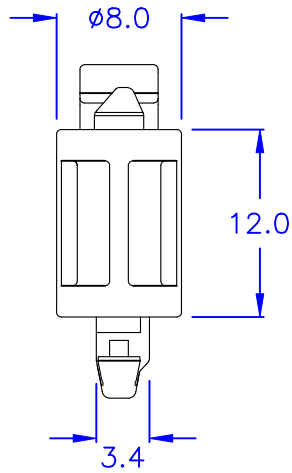
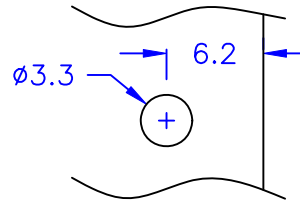
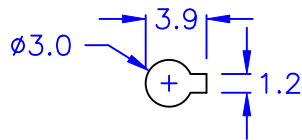


◎ CHASSIS THICKNESS: 1.57 mm

◎ HOLE IN CHASSIS:



◎ HOLE IN CHASSIS:



◎ CHASSIS THICKNESS: 2.4 mm

- ◎Halogen Free 低鹵
- ◎ROHS 2.0
- ◎ROHS 六項 compliant

DRAW NO. PGAS032601

GJS

| | |
|---------------------------|------|
| PLASTIC TOLERANCE: | |
| L ≤ 10 | ±0.2 |
| 10 < L ≤ 30 | ±0.3 |
| 30 < L ≤ 50 | ±0.5 |
| 50 < L ≤ 100 | ±0.7 |
| 100 < L ≤ 250 | ±1.2 |
| ABOVE 250 | ±1.5 |

網頁圖示供參考, 最終以品固公司正式圖面為主
The plastic tolerance is just for your reference; all the measurements and dimensions are according to the "DATA SHEET" issued by PINGOOD.

MATERIAL: N66 V2 or EQUIVALENT

COLOR: NATURAL



品固企業股份有限公司
品基電子(東莞)有限公司
蘇州品基電子科技有限公司
東莞市鑽隆商貿有限公司
PINGOOD ENTERPRISE CO.,LTD.

PART NAME:

P.C. 板間隔柱
SPACER SUPPORT

PART NO:

LTZ-12HC-N2W

A

SIZE

VERSION

1

| | | |
|--|------|-------|
| | UNIT | SCALE |
| | mm | |

SHEET 1 OF 1

表單號碼QF135