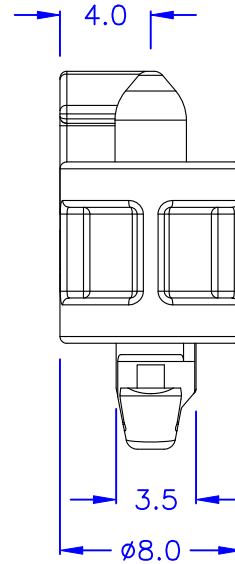
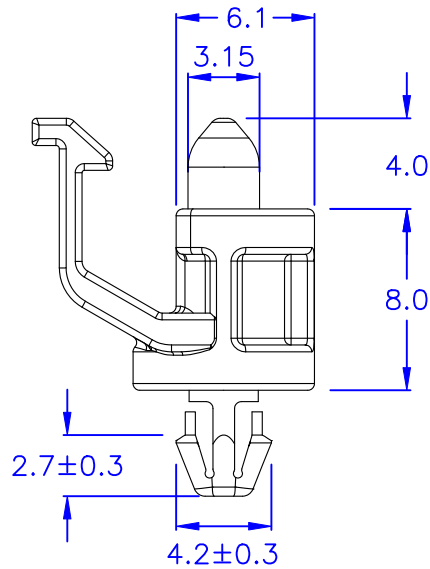
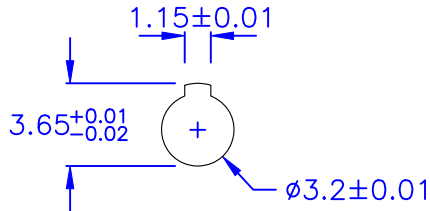


◎ CHASSIS THICKNESS: $1.57^{+0}_{-0.05}$ mm

◎ HOLE IN CHASSIS: $\phi 3.3^{+0.05}_0$ mm



◎ HOLE IN CHASSIS: $\phi 3.2 \pm 0.01$ mm



◎ CHASSIS THICKNESS: $1.62^{+0}_{-0.05}$ mm

◎ Halogen Free 低鹵

◎ ROHS 2.0

◎ ROHS 六項 compliant

DRAW NO. PGAS035897

GJS

PLASTIC TOLERANCE:

$L \leq 10$	± 0.2
$10 < L \leq 30$	± 0.3
$30 < L \leq 50$	± 0.5
$50 < L \leq 100$	± 0.7
$100 < L \leq 250$	± 1.2
ABOVE 250	± 1.5

網頁圖示供參考, 最終以品固公司正式圖面為主

The plastic tolerance is just for your reference; all the measurements and dimensions are according to the "DATA SHEET" issued by PINGOOD.

MATERIAL: N66 V0 or EQUIVALENT

COLOR: NATURAL



品固企業股份有限公司
品基電子(東莞)有限公司
蘇州品基電子科技有限公司
東莞市鈺隆商貿有限公司
鑽隆有限公司
PINGOOD ENTERPRISE CO.,LTD.

PART NAME:

P.C. 板間隔柱
SPACER SUPPORT

A

SIZE

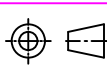
VERSION

4

PART NO:

LTN-8G-NOW

SHEET 1 OF 1



UNIT	SCALE
mm	

表單號碼 QF135