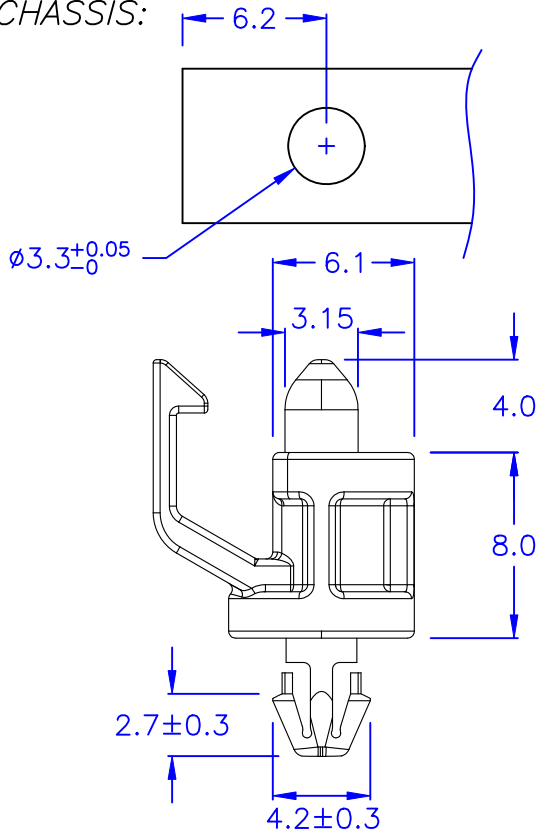
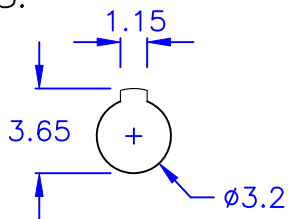


◎ CHASSIS THICKNESS: 1.57 mm

◎ HOLE IN CHASSIS:



◎ HOLE IN CHASSIS:



◎ CHASSIS THICKNESS: 2.2 mm

- ◎ Halogen Free 低鹵
- ◎ ROHS 2.0
- ◎ ROHS 六項 compliant

DRAW NO. PGAS033364

GJS

PLASTIC TOLERANCE:

L ≤ 10	±0.2
10 < L ≤ 30	±0.3
30 < L ≤ 50	±0.5
50 < L ≤ 100	±0.7
100 < L ≤ 250	±1.2
ABOVE 250	±1.5

網頁圖示供參考, 最終以品固公司正式圖面為主  
The plastic tolerance is just for your reference; all the measurements and dimensions are according to the "DATA SHEET" issued by PINGOOD.

MATERIAL: N66 V0 or EQUIVALENT

COLOR: BLUE

PANTONE: 659C (DELL 藍)



品固企業股份有限公司  
品基電子(東莞)有限公司  
蘇州品基電子科技有限公司  
東莞市鑽隆商貿有限公司  
PINGOOD ENTERPRISE CO.,LTD.

PART NAME:

P.C板間隔柱  
SPACER SUPPORT

PART NO:

LTN-8CK-NOY

A

SIZE

VERSION

1

SHEET 1 OF 1

	UNIT	SCALE
	mm	

表單號碼QF135