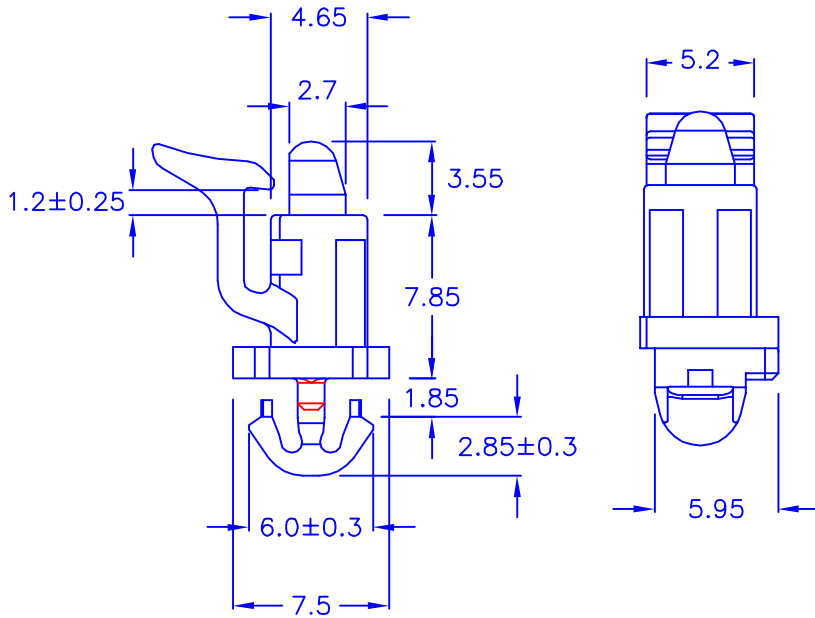
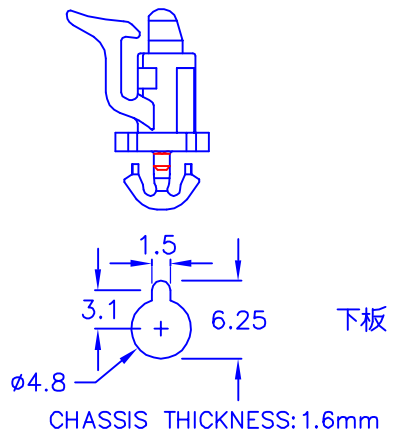
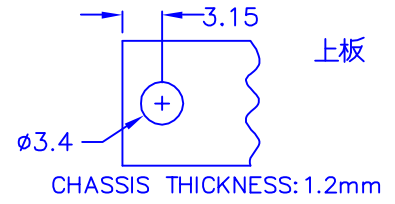


裝配孔示意圖



©HF
 ©ROHS compliant

DRAW NO. PGAS016776

GJS

PLASTIC TOLERANCE:	
L ≤ 10	±0.2
10 < L ≤ 30	±0.3
30 < L ≤ 50	±0.5
50 < L ≤ 100	±0.7
100 < L ≤ 250	±1.2
ABOVE 250	±1.5

網頁圖示供參考, 最終以品固公司正式圖面為主
 The plastic tolerance is just for your reference; all the measurements and dimensions are according to the "DATA SHEET" issued by PINGOOD.



品固企業股份有限公司
 品基電子(東莞)有限公司
 蘇州品基電子科技有限公司
 鑽隆有限公司
 PINGOOD ENTERPRISE CO.,LTD.

MATERIAL: N66 V2 or EQUIVALENT
 COLOR: BLACK

PART NAME:

P.C. 板間隔柱
 SPACER SUPPORT

A
 SIZE

VERSION

1

PART NO:

LTN-7C-N2B

SHEET 1 OF 1

	UNIT	SCALE
	mm	

表單號碼QF135