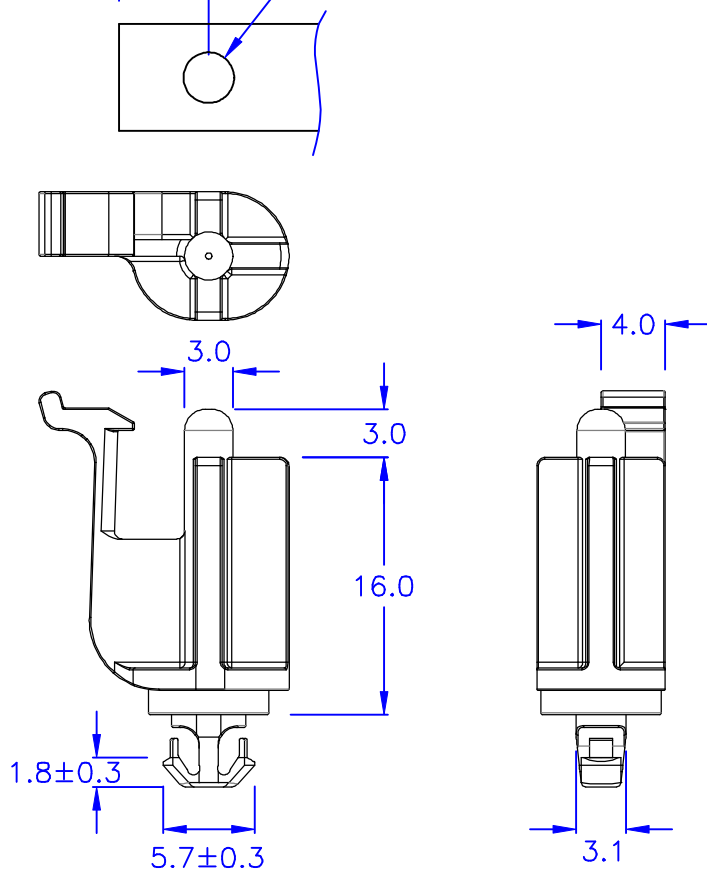
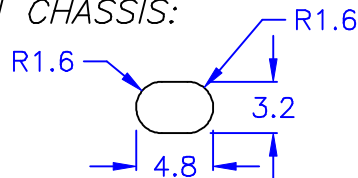


◎ CHASSIS THICKNESS: 1.6 mm

◎ HOLE IN CHASSIS:  $5.6$   $\phi 3.15^{+0.05}_0$



◎ HOLE IN CHASSIS:



◎ CHASSIS THICKNESS: 2.5 mm

- ◎ Halogen Free 低鹵
- ◎ ROHS 2.0
- ◎ ROHS 六項 compliant

DRAW NO. PGAS034836

GJS

PLASTIC TOLERANCE:	
$L \leq 10$	$\pm 0.2$
$10 < L \leq 30$	$\pm 0.3$
$30 < L \leq 50$	$\pm 0.5$
$50 < L \leq 100$	$\pm 0.7$
$100 < L \leq 250$	$\pm 1.2$
ABOVE 250	$\pm 1.5$

網頁圖示供參考, 最終以品固公司正式圖面為主  
The plastic tolerance is just for your reference; all the measurements and dimensions are according to the "DATA SHEET" issued by PINGOOD.



品固企業股份有限公司  
品基電子(東莞)有限公司  
蘇州品基電子科技有限公司  
東莞市鑽隆商貿有限公司  
鑽隆有限公司  
PINGOOD ENTERPRISE CO.,LTD.

MATERIAL: N66 V2 or EQUIVALENT  
COLOR: NATURAL

PART NAME:

P.C. 板間隔柱  
SPACER SUPPORT

A  
SIZE

VERSION  
1

PART NO:

LTKL-16-N2W

SHEET 1 OF 1

	UNIT	SCALE
	mm	