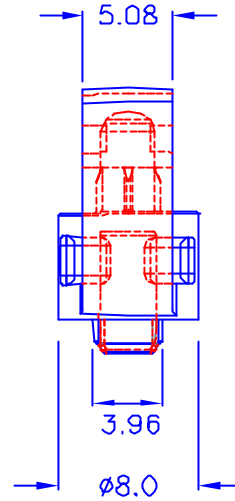
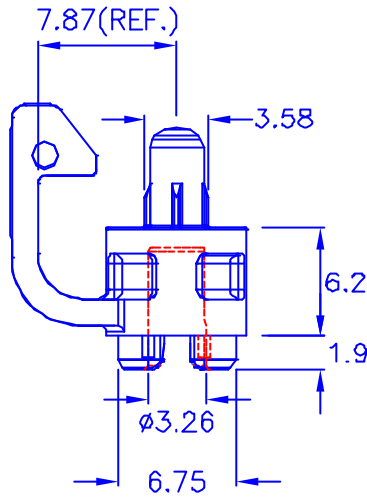
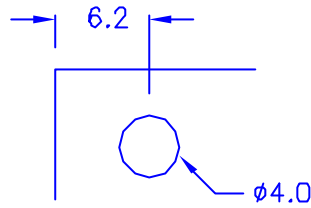
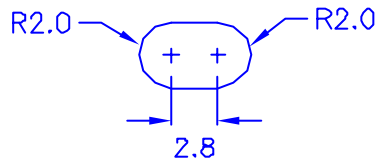


◎ CHASSIS THICKNESS: 3.0 mm

◎ HOLE IN CHASSIS:



◎ HOLE IN CHASSIS:



◎ CHASSIS THICKNESS: 1.2~2.0 mm

◎ROHS compliant

DRAW NO. PGAS015354

GJS

**PLASTIC TOLERANCE:**

L≤10	±0.2
10<L≤30	±0.3
30<L≤50	±0.5
50<L≤100	±0.7
100<L≤250	±1.2
ABOVE 250	±1.5

網頁圖示供參考,最終以品固公司正式圖面為主  
The plastic tolerance is just for your reference; all the measurements and dimensions are according to the "DATA SHEET" issued by PINGOOD.



品固企業股份有限公司  
品基電子(東莞)有限公司  
蘇州品基電子科技有限公司  
鑽隆有限公司  
PINGOOD ENTERPRISE CO.,LTD.

MATERIAL: N66 V2 or EQUIVALENT  
COLOR: NATURAL

PART NAME:

P. C. 板間隔柱  
SPACER SUPPORT

A

SIZE

VERSION

1A

PART NO:

LTK-6A-N2W

SHEET 1 OF 1

	UNIT	SCALE
	mm	