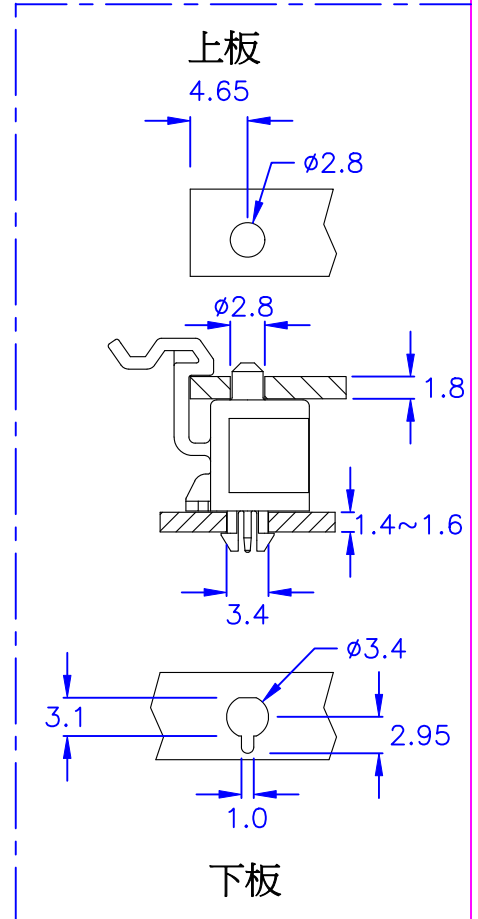


裝配孔示意圖



- ◎Halogen Free 低鹵
- ◎ROHS 2.0
- ◎ROHS 六項 compliant

DRAW NO. PGAS027410

GJS

PLASTIC TOLERANCE:	
L \leq 10	\pm 0.2
10<L \leq 30	\pm 0.3
30<L \leq 50	\pm 0.5
50<L \leq 100	\pm 0.7
100<L \leq 250	\pm 1.2
ABOVE 250	\pm 1.5

網頁圖示供參考,最終以品固公司正式圖面為主
The plastic tolerance is just for your reference; all the measurements and dimensions are according to the "DATA SHEET" issued by PINGOOD.

MATERIAL: N66 V2 or EQUIVALENT

COLOR: NATURAL



品固企業股份有限公司
品基電子(東莞)有限公司
蘇州品基電子科技有限公司
東莞市鑽隆商貿有限公司
PINGOOD ENTERPRISE CO.,LTD.

PART NAME:

P.C. 板間隔柱
SPACER SUPPORT

A
SIZE

VERSION

1

PART NO:

LTH-9PN-N2W

SHEET 1 OF 1

	UNIT	SCALE
	mm	

表單號碼QF135