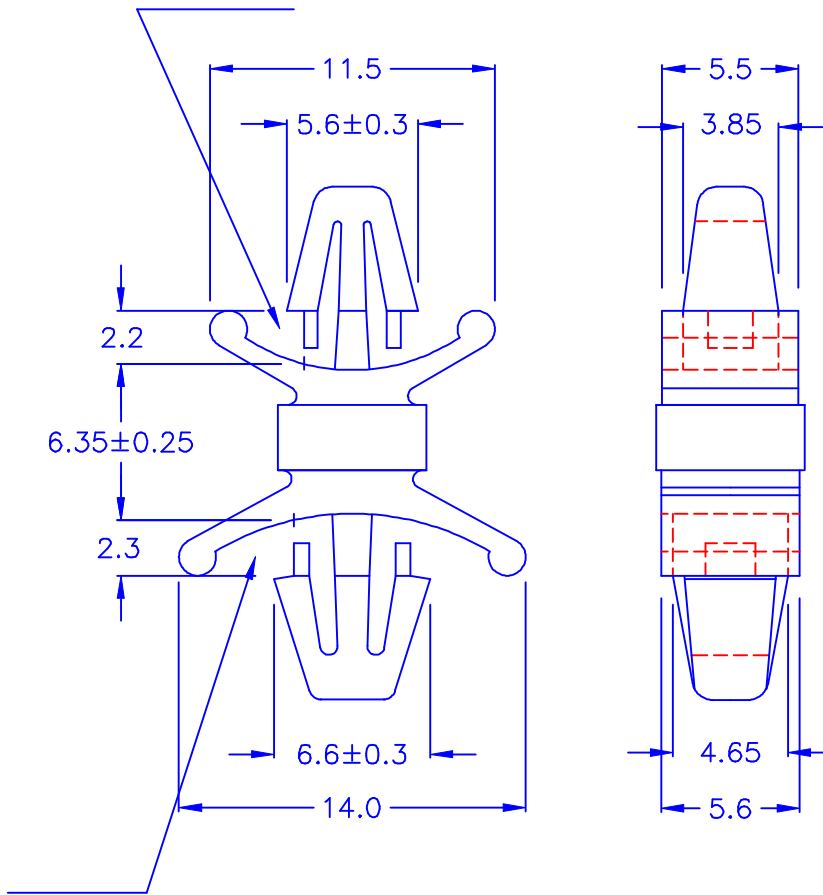


◎ HOLE IN P.C.B.: $\phi 4.0$

◎ P.C.B. THICKNESS: 0.8~1.7 mm



◎ HOLE IN P.C.B.: $\phi 4.8 \sim \phi 5.0$

◎ P.C.B. THICKNESS: 0.8~1.7 mm

◎ Halogen Free 低鹵
 ◎ ROHS 2.0
 ◎ ROHS 六項 compliant

DRAW NO. PGAS024170

GJS

PLASTIC TOLERANCE:	
L ≤ 10	±0.2
10 < L ≤ 30	±0.3
30 < L ≤ 50	±0.5
50 < L ≤ 100	±0.7
100 < L ≤ 250	±1.2
ABOVE 250	±1.5

網頁圖示供參考,最終以品固公司正式圖面為主

The plastic tolerance is just for your reference; all the measurements and dimensions are according to the "DATA SHEET" issued by PINGOOD.

MATERIAL: N66 V2 or EQUIVALENT

COLOR: NATURAL



品固企業股份有限公司
 品基電子(東莞)有限公司
 蘇州品基電子科技有限公司
 鑽隆有限公司
 PINGOOD ENTERPRISE CO.,LTD.

PART NAME:

P.C. 板間隔柱
 SPACER SUPPORT

A
 SIZE

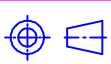
VERSION

2A

PART NO:

LTBS-6

SHEET 1 OF 1



UNIT SCALE
 mm