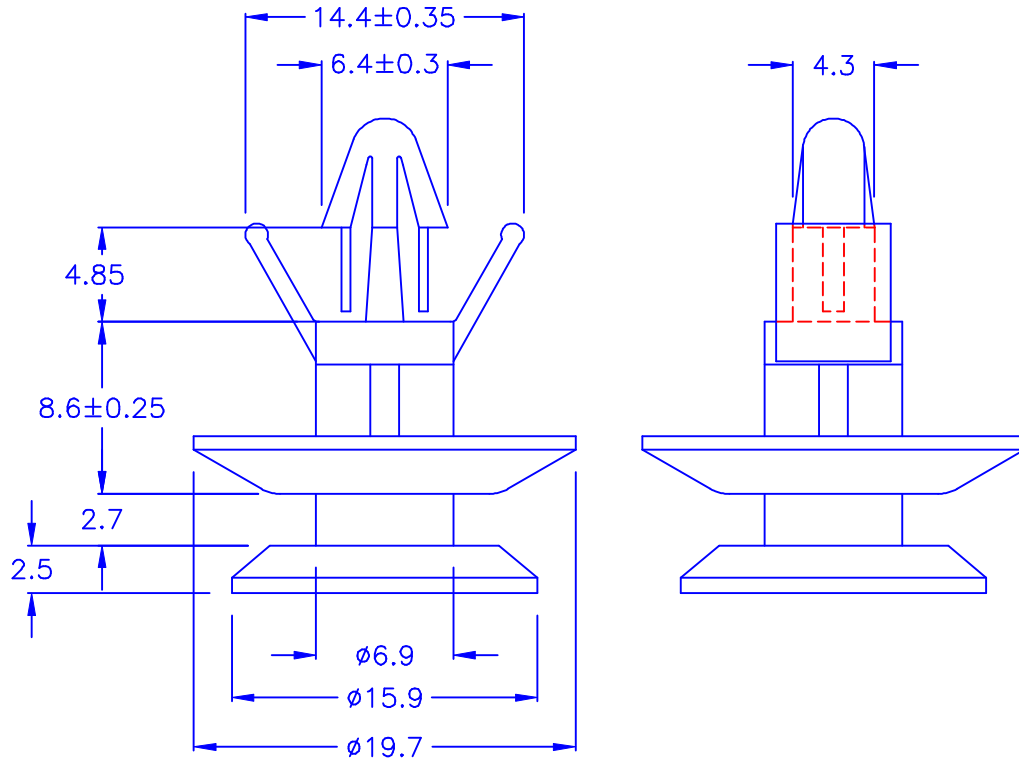


◎ CHASSIS THICKNESS: 4.0 mm

◎ HOLE IN DIMENSIONS: $\phi 4.5$


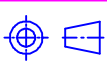


◎ HOLE IN DIMENSIONS: $\phi 16.5$ $\phi 7.2$

◎ CHASSIS THICKNESS: 2.5 mm

- ◎ Halogen Free 低鹵
- ◎ ROHS 2.0
- ◎ ROHS 六項 compliant

DRAW NO. PGAS022477 GJS

PLASTIC TOLERANCE: L≤10 ±0.2 10<L≤30 ±0.3 30<L≤50 ±0.5 50<L≤100 ±0.7 100<L≤250 ±1.2 ABOVE 250 ±1.5	網頁圖示供參考, 最終以品固公司正式圖面為主 The plastic tolerance is just for your reference; all the measurements and dimensions are according to the "DATA SHEET" issued by PINGOOD.		 品固企業股份有限公司 品基電子(東莞)有限公司 蘇州品基電子科技有限公司 鑽隆有限公司 PINGOOD ENTERPRISE CO.,LTD.	PART NAME: P.C. 板間隔柱 SPACER SUPPORT		VERSION A SIZE 1A
	MATERIAL: N66 V2 or EQUIVALENT COLOR: NATURAL			PART NO: LSD-9B		
 UNIT mm	SCALE		SHEET 1 OF 1		表單號碼QF135	