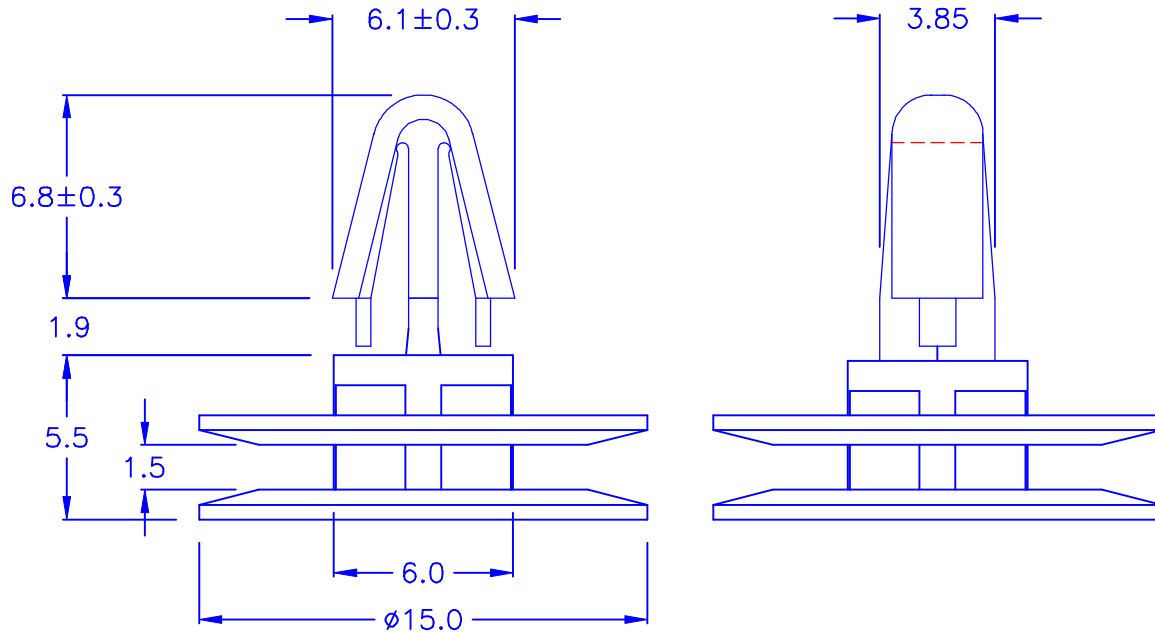
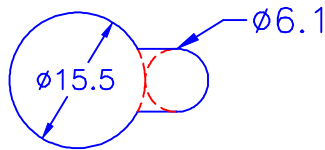


◎ HOLE IN P.C.B.: $\phi 4.0$

◎ MAXIMUM THICKNESS: 1.6 mm



◎ HOLE IN CHASSIS:



◎ CHASSIS THICKNESS: 1.2 mm

- ◎ Halogen Free 低鹵
- ◎ ROHS 2.0
- ◎ ROHS 六項 compliant

DRAW NO. PGAS022418 GJS

PLASTIC TOLERANCE:		
$L \leq 10$	± 0.2	
$10 < L \leq 30$	± 0.3	
$30 < L \leq 50$	± 0.5	
$50 < L \leq 100$	± 0.7	
$100 < L \leq 250$	± 1.2	
ABOVE 250	± 1.5	

網頁圖示供參考, 最終以品固公司正式圖面為主
The plastic tolerance is just for your reference; all the measurements and dimensions are according to the "DATA SHEET" issued by PINGOOD.

MATERIAL: N66 V2 or EQUIVALENT
COLOR: NATURAL

品固企業股份有限公司
品基電子(東莞)有限公司
蘇州品基電子科技有限公司
鑽隆有限公司
PINGOOD ENTERPRISE CO.,LTD.

PART NAME:
P.C. 板間隔柱
SPACER SUPPORT

A SIZE	VERSION
	1A

PART NO:
LSA-2A-N2W

SHEET 1 OF 1

	UNIT	SCALE
	mm	