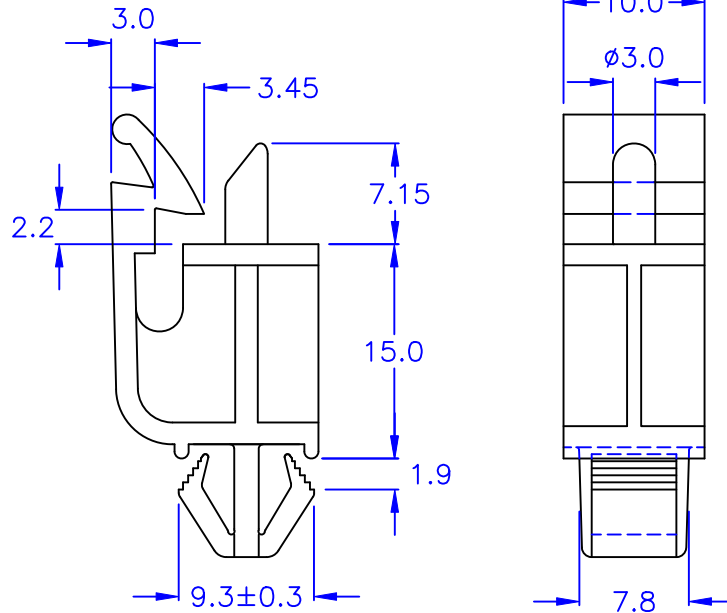
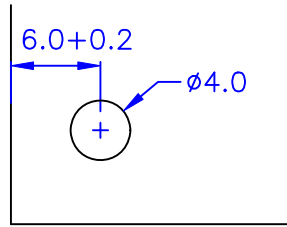
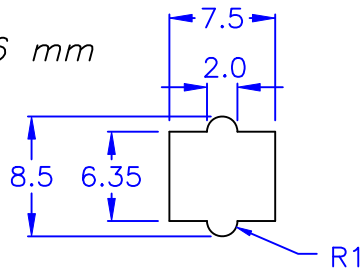


◎ CHASSIS THICKNESS: 1.6 mm
 ◎ HOLE IN DIMENSIONS:



◎ CHASSIS THICKNESS: 1.6 mm
 ◎ HOLE IN DIMENSIONS:



◎Halogen Free 低鹵
 ◎ROHS 2.0
 ◎ROHS 六項 compliant

DRAW NO. PGAS035349 GJS

PLASTIC TOLERANCE:	
L ≤ 10	±0.2
10 < L ≤ 30	±0.3
30 < L ≤ 50	±0.5
50 < L ≤ 100	±0.7
100 < L ≤ 250	±1.2
ABOVE 250	±1.5

網頁圖示供參考, 最終以品固公司正式圖面為主
 The plastic tolerance is just for your reference; all the measurements and dimensions are according to the "DATA SHEET" issued by PINGOOD.

MATERIAL: N66 V2 or EQUIVALENT
 COLOR: NATURAL



品固企業股份有限公司
 品基電子(東莞)有限公司
 蘇州品基電子科技有限公司
 東莞市鑽隆商貿有限公司
 鑽隆有限公司
 PINGOOD ENTERPRISE CO.,LTD.

PART NAME:
P.C. 板間隔柱
 SPACER SUPPORT

A	VERSION
	1
SIZE	

PART NO:
 LS-15-N2W

SHEET 1 OF 1

	UNIT	SCALE
	mm	

表單號碼QF135