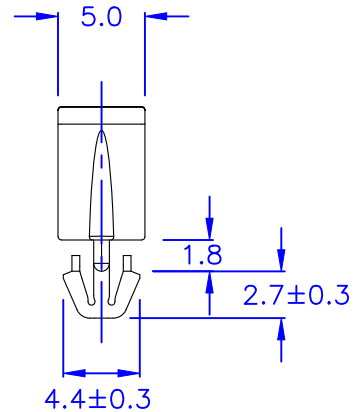
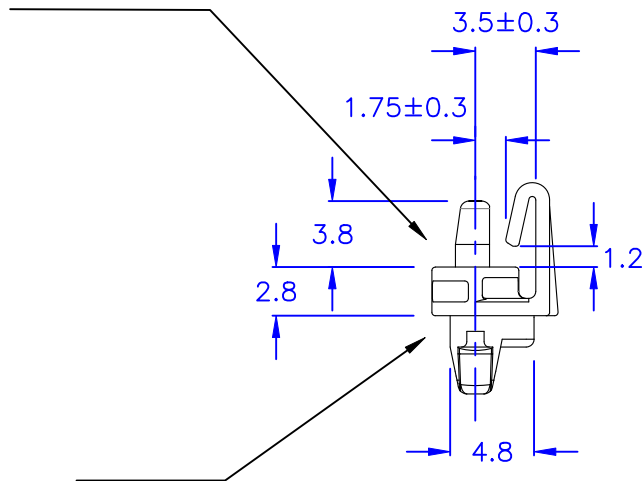
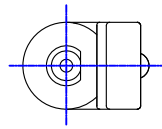
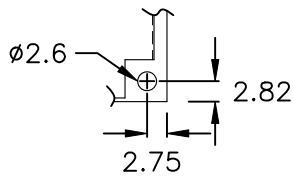
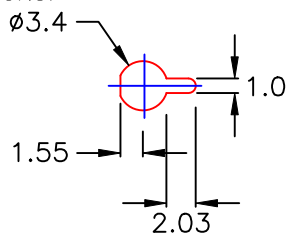


◎CHASSIS THICKNESS: 1.0 mm
 ◎HOLE IN DIMENSIONS:



◎CHASSIS THICKNESS: 1.6 mm
 ◎HOLE IN DIMENSIONS:



◎Halogen Free 低鹵
 ◎ROHS 2.0
 ◎ROHS 六項 compliant

DRAW NO. PGAS030255

GJS

PLASTIC TOLERANCE:	網頁圖示供參考, 最終以品固公司正式圖面為主
L ≤ 10 ±0.2	The plastic tolerance is just for your reference; all the measurements and dimensions are according to the "DATA SHEET" issued by PINGOOD.
10 < L ≤ 30 ±0.3	
30 < L ≤ 50 ±0.5	
50 < L ≤ 100 ±0.7	
100 < L ≤ 250 ±1.2	
ABOVE 250 ±1.5	
MATERIAL: N66 V2 or EQUIVALENT	
COLOR: NATURAL	

	UNIT	SCALE
	mm	



品固企業股份有限公司
 品基電子(東莞)有限公司
 蘇州品基電子科技有限公司
 東莞市鑽隆商貿有限公司
 PINGOOD ENTERPRISE CO.,LTD.

PART NAME:	P.C. 板間隔柱 SPACER SUPPORT	A SIZE	VERSION
PART NO:			1
	LMK-2YW-N2W	SHEET 1 OF 1	