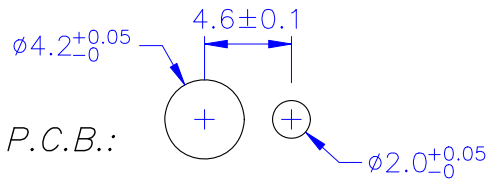
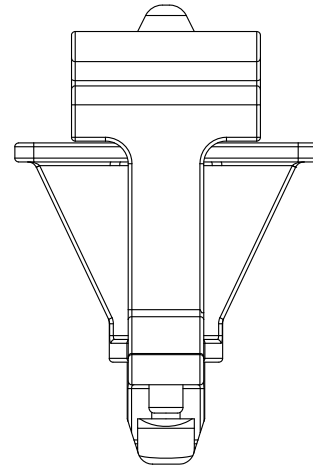
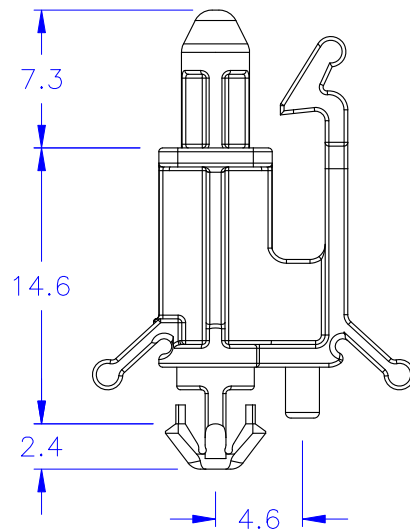
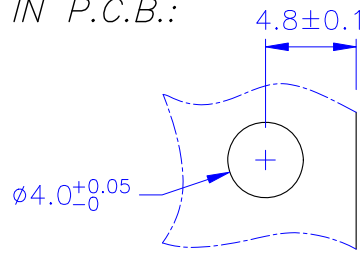


◎ P.C.B. THICKNESS: 1.6±0.2 mm

◎ HOLE IN P.C.B.:



◎ HOLE IN P.C.B.:

◎ P.C.B. THICKNESS: 2.6±0.2 mm

◎ Halogen Free 低鹵

◎ ROHS 2.0

◎ ROHS 六項 compliant

DRAW NO. PGAS037293

GJS

PLASTIC TOLERANCE:

$L \leq 10$	±0.2
$10 < L \leq 30$	±0.3
$30 < L \leq 50$	±0.5
$50 < L \leq 100$	±0.7
$100 < L \leq 250$	±1.2
ABOVE 250	±1.5

網頁圖示供參考, 最終以品固公司正式圖面為主

The plastic tolerance is just for your reference; all the measurements and dimensions are according to the "DATA SHEET" issued by PINGOOD.

MATERIAL: N66 V2 or EQUIVALENT

COLOR: BLACK



品固企業股份有限公司  
品基電子(東莞)有限公司  
蘇州品基電子科技有限公司  
東莞市鈺隆商貿有限公司  
鑽隆有限公司  
PINGOOD ENTERPRISE CO., LTD.

PART NAME:

P.C. 板間隔柱  
SPACER SUPPORT

A

VERSION

SIZE

1

PART NO.:

LMGA-11PS-N2B

SHEET 1 OF 1

	UNIT	SCALE
	mm	

表單號碼 QF135