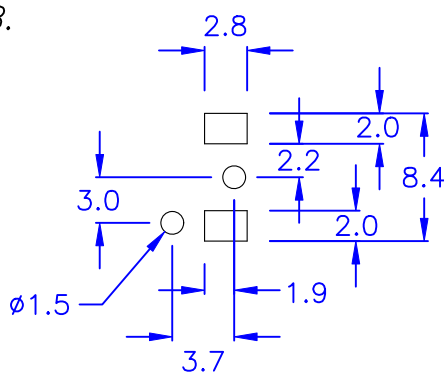


◎ P.C.B. THICKNESS: 1.6 mm

◎ HOLE IN P.C.B.



◎Halogen Free 低鹵  
 ◎ROHS 2.0  
 ◎ROHS 六項 compliant

DRAW NO. PGAS029219

GJS

**PLASTIC TOLERANCE:**

$L \leq 10$	$\pm 0.2$
$10 < L \leq 30$	$\pm 0.3$
$30 < L \leq 50$	$\pm 0.5$
$50 < L \leq 100$	$\pm 0.7$
$100 < L \leq 250$	$\pm 1.2$
ABOVE 250	$\pm 1.5$

網頁圖示供參考,最終以品固公司正式圖面為主  
 The plastic tolerance is just for your reference; all the measurements and dimensions are according to the "DATA SHEET" issued by PINGOOD.

MATERIAL: PC V2 or EQUIVALENT

COLOR: NATURAL



品固企業股份有限公司  
 品基電子(東莞)有限公司  
 蘇州品基電子科技有限公司  
 東莞市鑽隆商貿有限公司  
 PINGOOD ENTERPRISE CO.,LTD.

PART NAME:

導光柱  
 LIGHT PIPE

A  
 SIZE

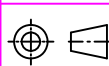
VERSION

1

PART NO:

LESD-12K-FXW

SHEET 1 OF 1



UNIT	SCALE
mm	