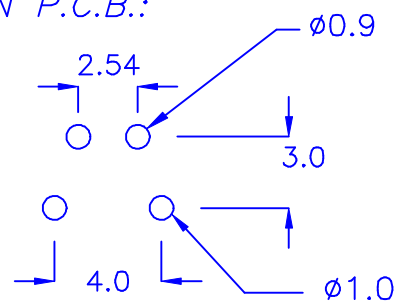


◎ HOLE IN P.C.B.:



- ◎ Halogen Free 低鹵
- ◎ ROHS 2.0
- ◎ ROHS 六項 compliant

DRAW NO. PGAS022971 GJS

<b>PLASTIC TOLERANCE:</b>		
L ≤ 10	±0.2	
10 < L ≤ 30	±0.3	
30 < L ≤ 50	±0.5	
50 < L ≤ 100	±0.7	
100 < L ≤ 250	±1.2	
ABOVE 250	±1.5	

網頁圖示供參考, 最終以品固公司正式圖面為主  
 The plastic tolerance is just for your reference; all the measurements and dimensions are according to the "DATA SHEET" issued by PINGOOD.

**MATERIAL: N66 V2 or EQUIVALENT**  
**COLOR: BLACK**

品固企業股份有限公司  
 品基電子(東莞)有限公司  
 蘇州品基電子科技有限公司  
 鑽隆有限公司  
 PINGOOD ENTERPRISE CO.,LTD.

**PART NAME:**  
**LED座**  
**LED HOUSING**

<b>A</b> SIZE	VERSION
	1A

	UNIT	SCALE
	mm	

**PART NO:**  
**LED-5Y-N2B**

SHEET 1 OF 1