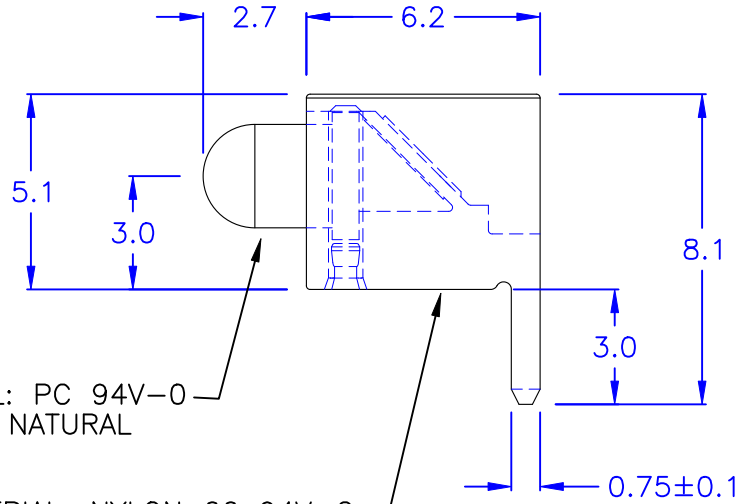
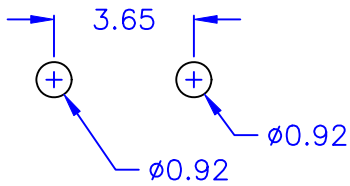


◎ HOLE IN P.C.B.:



MATERIAL: PC 94V-0
COLOR: NATURAL

MATERIAL: NYLON 66 94V-2
COLOR: BLACK

- ◎Halogen Free 低鹵
- ◎ROHS 2.0
- ◎ROHS 六項 compliant

DRAW NO. PGAS033652

GJS

PLASTIC TOLERANCE:

L ≤ 10	±0.2
10 < L ≤ 30	±0.3
30 < L ≤ 50	±0.5
50 < L ≤ 100	±0.7
100 < L ≤ 250	±1.2
ABOVE 250	±1.5

網頁圖示供參考, 最終以品固公司正式圖面為主
The plastic tolerance is just for your reference; all the measurements and dimensions are according to the "DATA SHEET" issued by PINGOOD.

MATERIAL: PC V0 or EQUIVALENT

COLOR: NATURAL

MATERIAL: N66 V2 or EQUIVALENT

COLOR: BLACK



品固企業股份有限公司
品基電子(東莞)有限公司
蘇州品基電子科技有限公司
東莞市鑽隆商貿有限公司
PINGOOD ENTERPRISE CO.,LTD.

PART NAME:

導光柱組合
LIGHT PIPE ASSAMBLY

PART NO:

LEAD-16MK-36-X

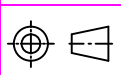
A

SIZE

VERSION

1

SHEET 1 OF 1



UNIT
mm

SCALE