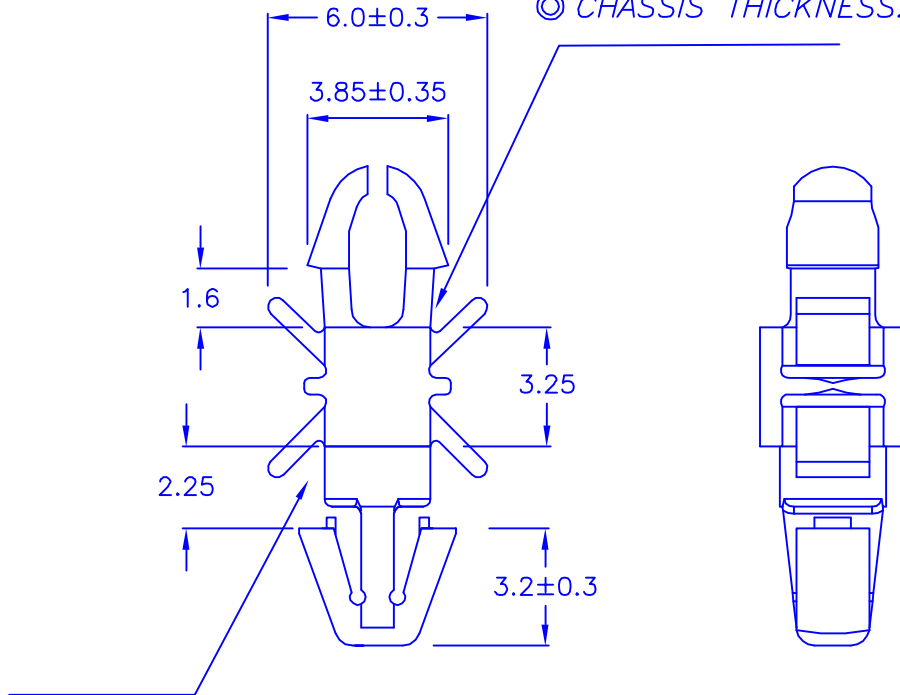


◎ HOLE IN CHASSIS:  $\phi 3.0$

◎ CHASSIS THICKNESS: 1.0 mm



◎ HOLE IN CHASSIS:  $\phi 3.0$

◎ CHASSIS THICKNESS: 1.6 mm

◎HF  
◎ROHS compliant

DRAW NO. PGAS016807

GJS

| PLASTIC TOLERANCE: |      |
|--------------------|------|
| L ≤ 10             | ±0.2 |
| 10 < L ≤ 30        | ±0.3 |
| 30 < L ≤ 50        | ±0.5 |
| 50 < L ≤ 100       | ±0.7 |
| 100 < L ≤ 250      | ±1.2 |
| ABOVE 250          | ±1.5 |

網頁圖示供參考, 最終以品固公司正式圖面為主

The plastic tolerance is just for your reference; all the measurements and dimensions are according to the "DATA SHEET" issued by PINGOOD.

MATERIAL: N66 V2 or EQUIVALENT

COLOR: NATURAL



品固企業股份有限公司  
品基電子(東莞)有限公司  
蘇州品基電子科技有限公司  
鑽隆有限公司  
PINGOOD ENTERPRISE CO.,LTD.

PART NAME:

P.C. 板間隔柱  
SPACER SUPPORT

A  
SIZE

VERSION

2

PART NO:

LCX-3A-N2W

SHEET 1 OF 1

| UNIT | SCALE |
|------|-------|
| mm   |       |

表單號碼QF135