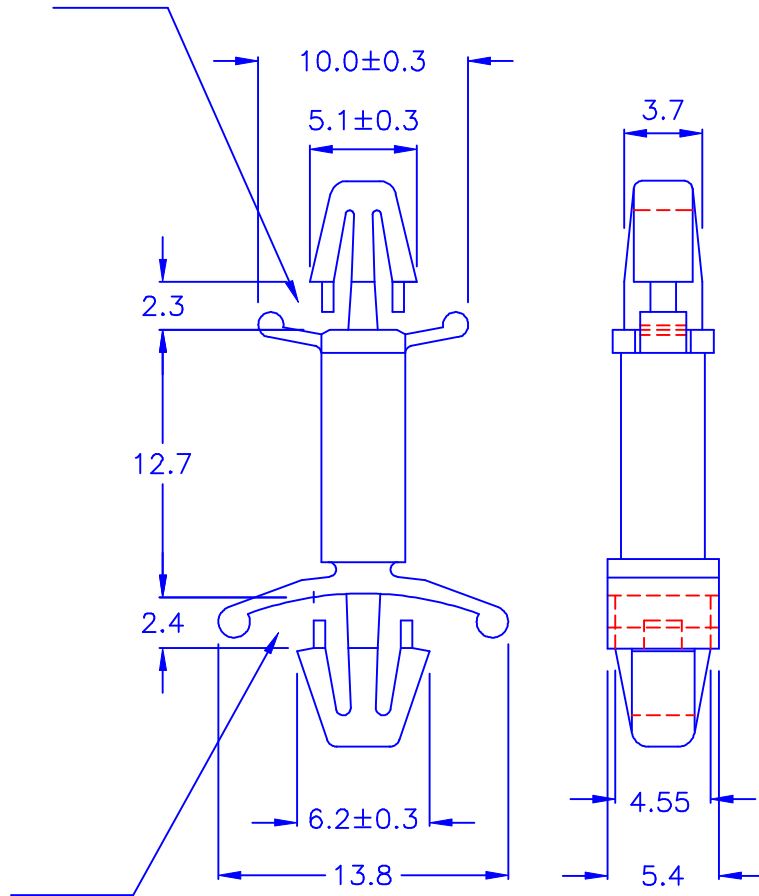


◎ CHASSIS THICKNESS: 1.4~1.6 mm

◎ HOLE IN DIMENSIONS: $\phi 4.0$



◎ CHASSIS THICKNESS: 0.8~2.0 mm

◎ HOLE IN DIMENSIONS: $\phi 4.8$

◎Halogen Free 低鹵

◎ROHS 2.0

◎ROHS 六項 compliant

DRAW NO. PGAS022410

GJS

PLASTIC TOLERANCE:

L ≤ 10 ±0.2

10 < L ≤ 30 ±0.3

30 < L ≤ 50 ±0.5

50 < L ≤ 100 ±0.7

100 < L ≤ 250 ±1.2

ABOVE 250 ±1.5

網頁圖示供參考,最終以品固公司正式圖面為主

The plastic tolerance is just for your reference; all the measurements and dimensions are according to the "DATA SHEET" issued by PINGOOD.

MATERIAL: N66 V2 or EQUIVALENT

COLOR: NATURAL



品固企業股份有限公司
品基電子(東莞)有限公司
蘇州品基電子科技有限公司
鑽隆有限公司
PINGOOD ENTERPRISE CO.,LTD.

PART NAME:

P.C. 板間隔柱
SPACER SUPPORT

A
SIZE

VERSION

2A

PART NO:

LCWS-12

SHEET 1 OF 1



UNIT
mm

SCALE

表單號碼QF135