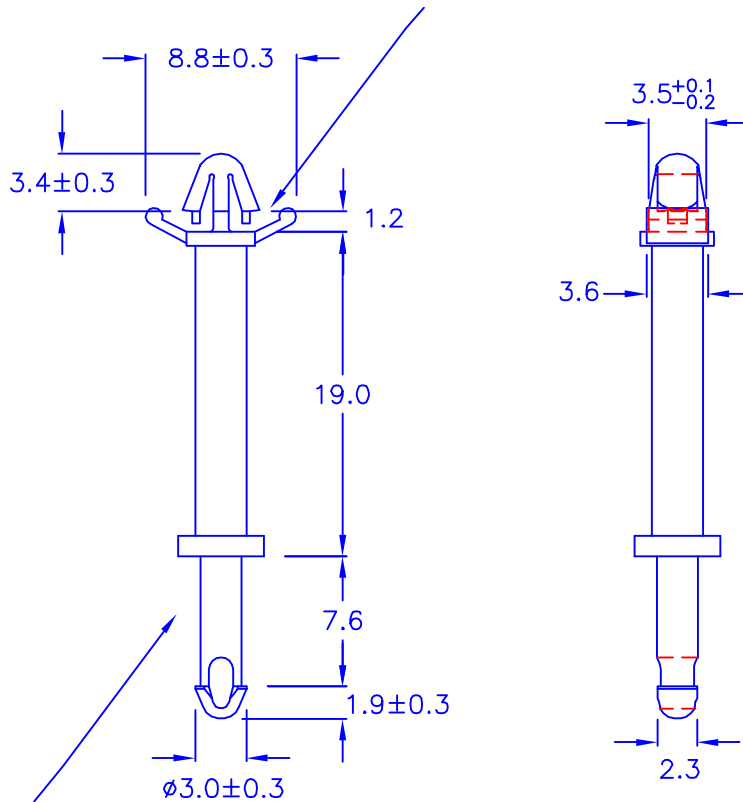


◎ CHASSIS THICKNESS: 0.3~0.6 mm

◎ HOLE IN CHASSIS: $\phi 3.5$



◎ CHASSIS THICKNESS: 7.4 mm

◎ HOLE IN CHASSIS: $\phi 2.5$

◎ROHS compliant

DRAW NO. PGAS014494

GJS

PLASTIC TOLERANCE:

L ≤ 10	±0.2
10 < L ≤ 30	±0.3
30 < L ≤ 50	±0.5
50 < L ≤ 100	±0.7
100 < L ≤ 250	±1.2
ABOVE 250	±1.5

網頁圖示供參考, 最終以品固公司正式圖面為主
The plastic tolerance is just for your reference; all the measurements and dimensions are according to the "DATA SHEET" issued by PINGOOD.



品固企業股份有限公司
品基電子(東莞)有限公司
蘇州品基電子科技有限公司
鑽隆有限公司
PINGOOD ENTERPRISE CO.,LTD.

MATERIAL: N66 V2 or EQUIVALENT

COLOR: BLACK

PART NAME:

P.C. 板間隔柱
SPACER SUPPORT

A
SIZE

VERSION
3

PART NO:

LCJ-19-N2B

SHEET 1 OF 1

UNIT	SCALE
mm	