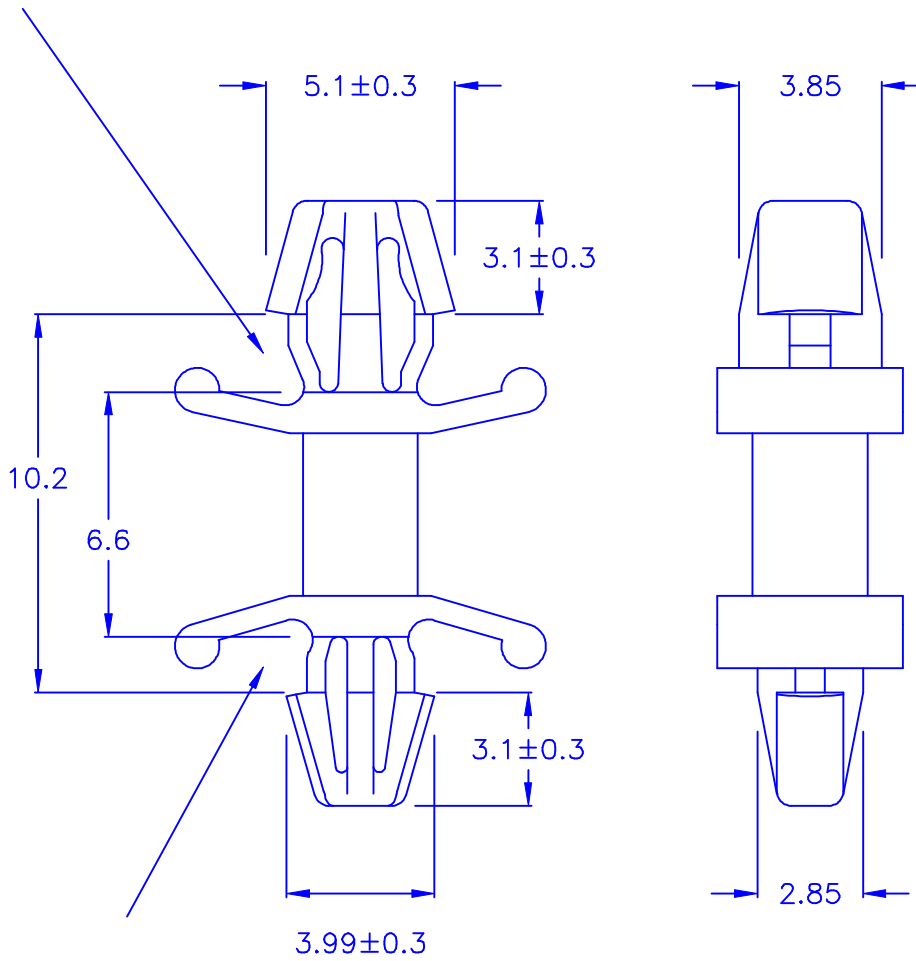


◎ HOLE IN P.C.B:  $\phi 4.0$  mm

◎ P.C.B THICKNESS: 1.6~1.8 mm



◎ HOLE IN P.C.B:  $\phi 3.0$  mm

◎ P.C.B THICKNESS: 0.6~1.0 mm

◎ Halogen Free  
◎ ROHS compliant

DRAW NO. PGAS020255 GJS

<b>PLASTIC TOLERANCE:</b>	
$L \leq 10$	$\pm 0.2$
$10 < L \leq 30$	$\pm 0.3$
$30 < L \leq 50$	$\pm 0.5$
$50 < L \leq 100$	$\pm 0.7$
$100 < L \leq 250$	$\pm 1.2$
ABOVE 250	$\pm 1.5$

網頁圖示供參考, 最終以品固公司正式圖面為主  
The plastic tolerance is just for your reference; all the measurements and dimensions are according to the "DATA SHEET" issued by PINGOOD.



品固企業股份有限公司  
品基電子(東莞)有限公司  
蘇州品基電子科技有限公司  
鑽隆有限公司  
PINGOOD ENTERPRISE CO.,LTD.

MATERIAL: N66 V2 or EQUIVALENT  
COLOR: NATURAL

PART NAME:  
P.C. 板間隔柱  
SPACER SUPPORT

VERSION	A
	1B
SIZE	

UNIT	SCALE
	mm

PART NO:  
LCH-6A-N2W

SHEET 1 OF 1