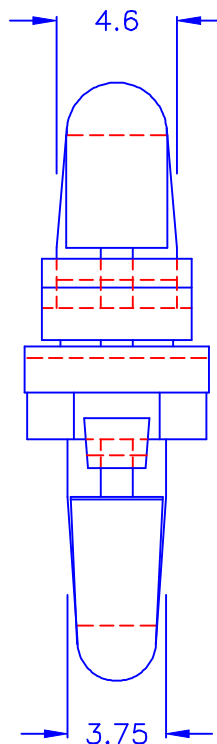
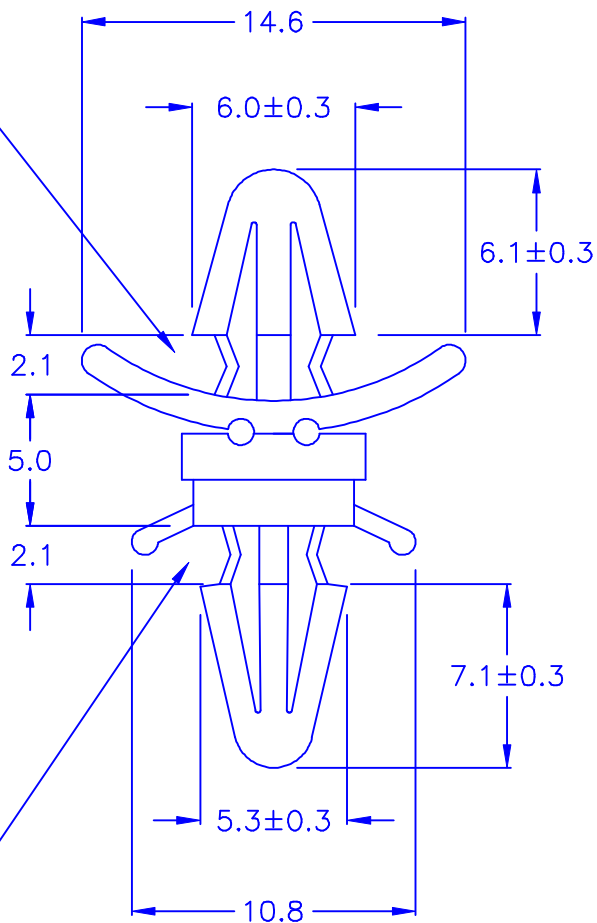


◎ HOLE IN P.C.B:  $\phi 4.8$  mm  
 ◎ P.C.B THICKNESS: 0.8~1.7 mm



◎ HOLE IN P.C.B:  $\phi 4.0$  mm  
 ◎ P.C.B THICKNESS: 0.8~1.7 mm

◎Halogen Free  
 ◎ROHS compliant

DRAW NO. PGAS020242 GJS

PLASTIC TOLERANCE:	
L ≤ 10	±0.2
10 < L ≤ 30	±0.3
30 < L ≤ 50	±0.5
50 < L ≤ 100	±0.7
100 < L ≤ 250	±1.2
ABOVE 250	±1.5

網頁圖示供參考, 最終以品固公司正式圖面為主  
 The plastic tolerance is just for your reference; all the measurements and dimensions are according to the "DATA SHEET" issued by PINGOOD.



品固企業股份有限公司  
 品基電子(東莞)有限公司  
 蘇州品基電子科技有限公司  
 鑽隆有限公司  
 PINGOOD ENTERPRISE CO.,LTD.

MATERIAL: N66 V2 or EQUIVALENT

PART NAME:

P.C. 板間隔柱  
 SPACER SUPPORT

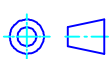
A	VERSION
	2B
SIZE	

COLOR: NATURAL

PART NO:

LCBS-5

SHEET 1 OF 1



UNIT	SCALE
mm	