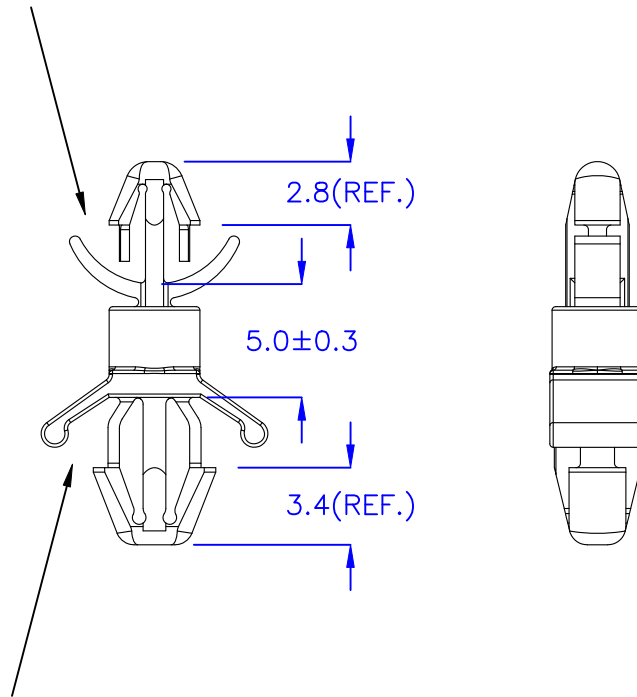




◎ HOLE IN P.C.B.: $\phi 3.0$ mm
 ◎ P.C.B. THICKNESS: 0.8~2.0 mm



◎ HOLE IN CHASSIS: $\phi 4.0$ mm
 ◎ CHASSIS THICKNESS: 1.2~2.6 mm

◎ Halogen Free 低鹵
 ◎ ROHS 2.0
 ◎ ROHS 六項 compliant

DRAW NO. PGAS035491 GJS

PLASTIC TOLERANCE: $L \leq 10$ ± 0.2 $10 < L \leq 30$ ± 0.3 $30 < L \leq 50$ ± 0.5 $50 < L \leq 100$ ± 0.7 $100 < L \leq 250$ ± 1.2 ABOVE 250 ± 1.5	網頁圖示供參考, 最終以品固公司正式圖面為主 The plastic tolerance is just for your reference; all the measurements and dimensions are according to the "DATA SHEET" issued by PINGOOD.	 品固企業股份有限公司 品基電子(東莞)有限公司 蘇州品基電子科技有限公司 東莞市钻隆商貿有限公司 鑽隆有限公司 PINGOOD ENTERPRISE CO.,LTD.	PART NAME: P.C. 板間隔柱 SPACER SUPPORT		VERSION 1
	MATERIAL: N66 V2 or EQUIVALENT COLOR: NATURAL		PART NO.: LBCM-5GA-N2W	SIZE A	SHEET 1 OF 1
 UNIT mm	SCALE 