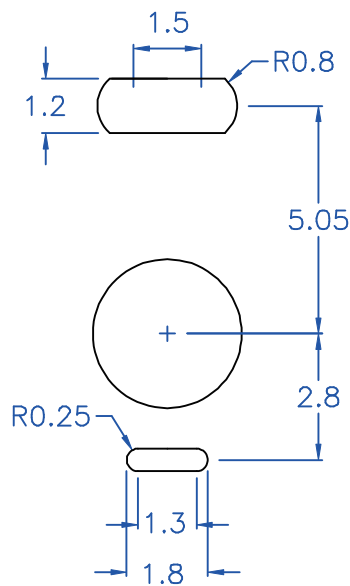


HOLE IN P.C.B.



DRAW NO. PGAS006092 C GJS

PLASTIC TOLERANCE:

L ≤ 10	±0.2
10 < L ≤ 30	±0.3
30 < L ≤ 50	±0.5
50 < L ≤ 100	±0.7
100 < L ≤ 250	±1.2
ABOVE 250	±1.5

網頁圖示供參考,最終以品固公司正式圖面為主
The plastic tolerance is just for your reference; all the measurements and dimensions are according to the "DATA SHEET" issued by PINGOOD.



品固企業股份有限公司
品基電子(東莞)有限公司
蘇州品基電子科技有限公司
鑽隆有限公司
PINGOOD ENTERPRISE CO.,LTD.

MATERIAL: 磷青銅鍍錫

PART NAME:

接地端子

GROUNDING CONNECTOR

A
SIZE

REV.

2

PART NO:

JG-6L-T

SHEET 1 OF 1

	UNIT	SCALE
	mm	