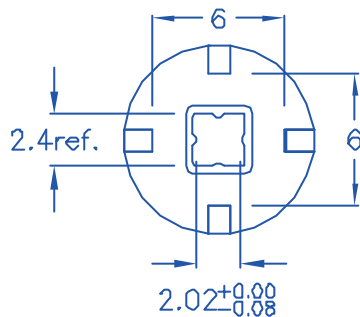


剖面圖 A-A



©ROHS compliant

DRAW NO. PGAS012941 D GJS

PLASTIC TOLERANCE:		
L ≤ 10	±0.2	
10 < L ≤ 30	±0.3	
30 < L ≤ 50	±0.5	
50 < L ≤ 100	±0.7	
100 < L ≤ 250	±1.2	
ABOVE 250	±1.5	

網頁圖示供參考, 最終以品固公司正式圖面為主
The plastic tolerance is just for your reference; all the measurements and dimensions are according to the "DATA SHEET" issued by PINGOOD.



品固企業股份有限公司
品基電子(東莞)有限公司
蘇州品基電子科技有限公司
鑽隆有限公司
PINGOOD ENTERPRISE CO.,LTD.

MATERIAL: ABS+PC VD or EQUIVALENT
COLOR: BLACK

PART NAME:
開關延長蓋
SWITCH EXTENDING COVER

A SIZE	REV.
	3

	UNIT	SCALE
	mm	/

PART NO:
HSD-01-A9B

SHEET 1 OF 1

EF0404505