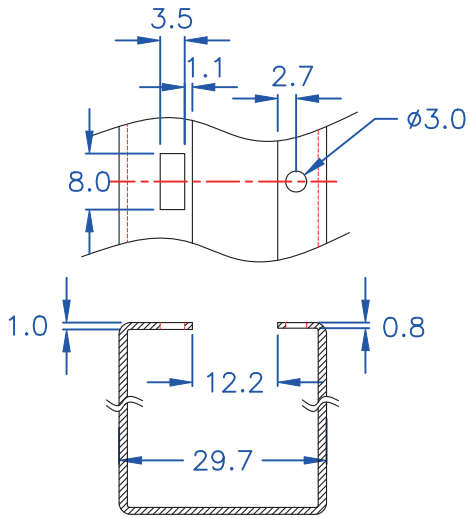


◎ HOLE IN CHASSIS:



- ◎Halogen Free 低鹵
- ◎ROHS 2.0
- ◎ROHS 六項 compliant

DRAW NO. PGAS027695

GJS

PLASTIC TOLERANCE:

L ≤ 10	±0.2
10 < L ≤ 30	±0.3
30 < L ≤ 50	±0.5
50 < L ≤ 100	±0.7
100 < L ≤ 250	±1.2
ABOVE 250	±1.5

網頁圖示供參考, 最終以品固公司正式圖面為主
The plastic tolerance is just for your reference; all the measurements and dimensions are according to the "DATA SHEET" issued by PINGOOD.

MATERIAL: N66 V2 or EQUIVALENT
COLOR: NATURAL

PART NAME:

防塵蓋
DUST COVER

PART NO:

HCP-24D-N2W

A

SIZE

VERSION

2

SHEET 1 OF 1

	UNIT	SCALE
	mm	



品固企業股份有限公司
品基電子(東莞)有限公司
蘇州品基電子科技有限公司
東莞市鑽隆商貿有限公司
PINGOOD ENTERPRISE CO.,LTD.