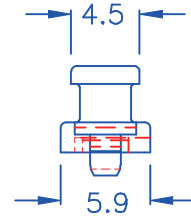
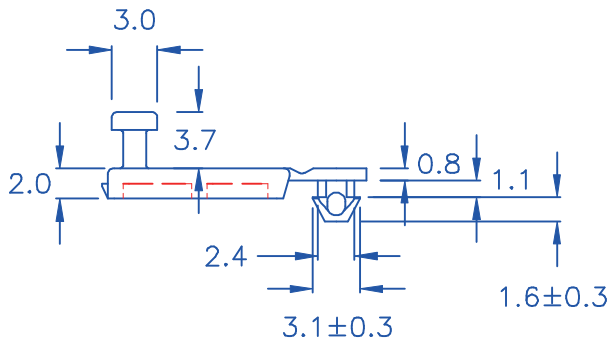
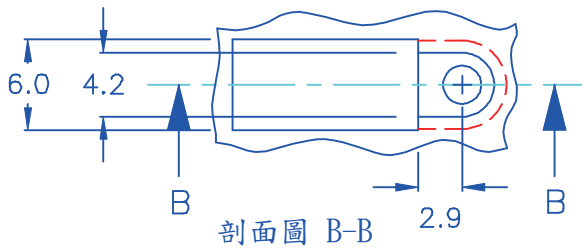
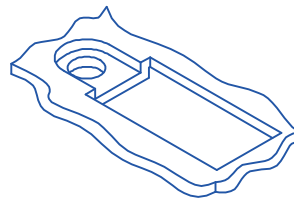
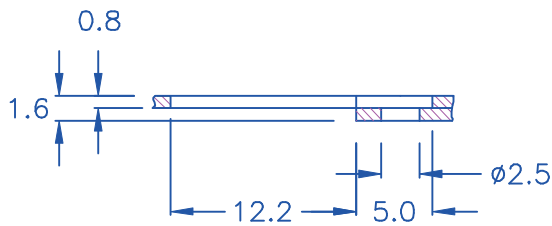


◎ CHASSIS THICKNESS: 0.8 mm

◎ HOLE IN DIMENSIONS: $\phi 2.5$



裝配板:



剖面圖 B-B

1.符合歐盟規範

◎ 鎘 (Cd) < 100ppm

◎ 鉛 (Pb) < 1000ppm

◎ 汞 (Hg) < 1000ppm

◎ 六價鉻 (Cr6+) < 1000ppm

◎ 多溴聯苯類 (PBB s) < 1000ppm

◎ 多溴聯苯醚類 (PBDE s) < 1000ppm

2.有鹵

DRAW NO. PGAS020790

GJS

PLASTIC TOLERANCE:		
L ≤ 10	±0.2	
10 < L ≤ 30	±0.3	
30 < L ≤ 50	±0.5	
50 < L ≤ 100	±0.7	
100 < L ≤ 250	±1.2	
ABOVE 250	±1.5	

網頁圖示供參考, 最終以品固公司正式圖面為主
The plastic tolerance is just for your reference; all the measurements and dimensions are according to the "DATA SHEET" issued by PINGOOD.



品固企業股份有限公司
品基電子(東莞)有限公司
蘇州品基電子科技有限公司
鑽隆有限公司
PINGOOD ENTERPRISE CO.,LTD.

MATERIAL: SANTOPRENE 251-92 V0
or EQUIVALENT

PART NAME:

防塵蓋
DUST COVER

A

SIZE

VERSION

1B

COLOR: BLACK

PART NO:

HCD-01-RJB

SHEET 1 OF 1



UNIT	SCALE
mm	