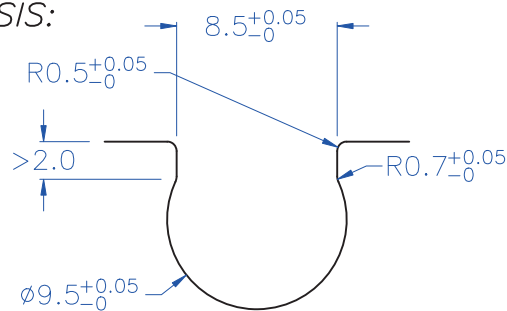




◎ HOLE IN CHASSIS:



◎ CHASSIS THICKNESS: $1.6^{+0}_{-0.05}$ mm

- ◎ Halogen Free 低鹵
- ◎ ROHS 2.0
- ◎ ROHS 六項 compliant

DRAW NO. PGAS026664 GJS

PLASTIC TOLERANCE: $L \leq 10 \quad \pm 0.3$ $10 < L \leq 80 \quad \pm 0.5$ ABOVE 80 ± 1.5	網頁圖示供參考, 最終以品固公司正式圖面為主 The plastic tolerance is just for your reference; all the measurements and dimensions are according to the "DATA SHEET" issued by PINGOOD.	 品固企業股份有限公司 品基電子(東莞)有限公司 蘇州品基電子科技有限公司 東莞市崑隆商貿有限公司 鑽隆有限公司 PINGOOD ENTERPRISE CO.,LTD.	PART NAME: 防震華司 SHOCK-ABSORB WASHER		VERSION A 1A
	MATERIAL: TPE COLOR: BLACK 試片硬度: 35°		PART NO.: GSH-12-TLB		
	UNIT mm	SCALE 			
					表單號碼 QF135