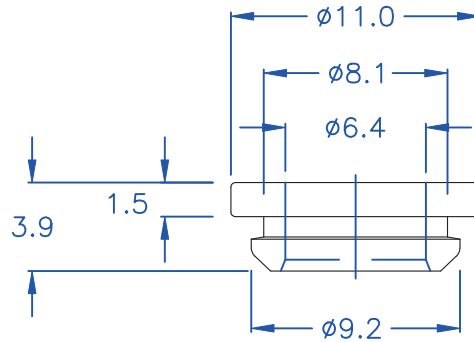
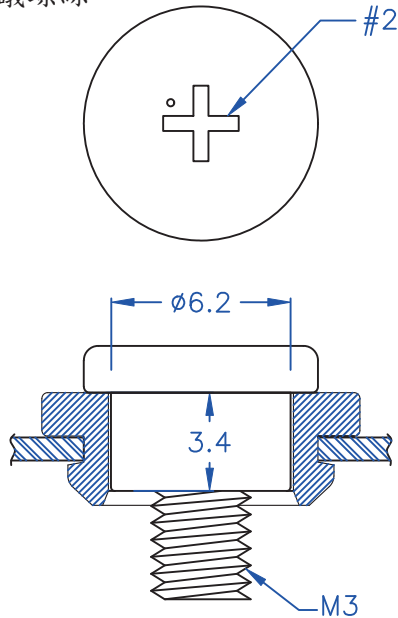


◎ 建議螺絲



◎ HOLE IN CHASSIS: $\varnothing 8.1^{+0.05}_0$ mm

◎ CHASSIS THICKNESS: $0.8^{+0}_{-0.05}$ mm

◎Halogen Free 低鹵

DRAW NO. PGAS036332

GJS

PLASTIC TOLERANCE:	
$L \leq 10$	± 0.2
$10 < L \leq 30$	± 0.3
$30 < L \leq 50$	± 0.5
$50 < L \leq 100$	± 0.7
$100 < L \leq 250$	± 1.2
ABOVE 250	± 1.5

網頁圖示供參考, 最終以品固公司正式圖面為主
The plastic tolerance is just for your reference; all the measurements and dimensions are according to the "DATA SHEET" issued by PINGOOD.

MATERIAL: TPE V0 or EQUIVALENT

COLOR: BLACK

試片硬度: $55^{\circ} \pm 5^{\circ}$



品固企業股份有限公司
品基電子(東莞)有限公司
蘇州品基電子科技有限公司
東莞市鑽隆商貿有限公司
鑽隆有限公司
PINGOOD ENTERPRISE CO.,LTD.

PART NAME:

防震華司
SHOCK-ABSORB WASHER

PART NO:

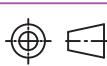
GLH-3WD-ZJB

A
SIZE

VERSION

1C

SHEET 1 OF 1



UNIT	SCALE
mm	

表單號碼QF135