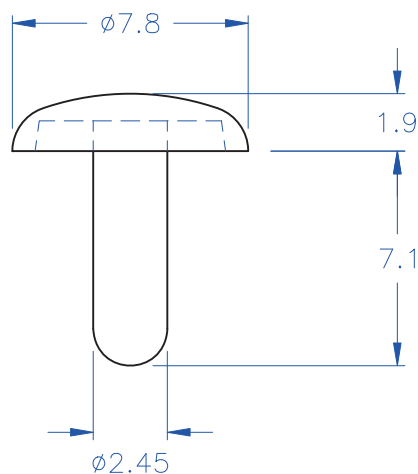


GL-20M-RJB-Z



GL-20M-NOB-A

◎ HOLE IN CHASSIS:  $\phi 5.3^{+0.05}_0$  mm

◎ CHASSIS THICKNESS:  $0.8^{+0}_{-0.05}$  mm

©Halogen 有鹵

DRAW NO. PGAS036516

GJS

PLASTIC TOLERANCE:	
L ≤ 10	±0.2
10 < L ≤ 30	±0.3
30 < L ≤ 50	±0.5
50 < L ≤ 100	±0.7
100 < L ≤ 250	±1.2
ABOVE 250	±1.5

網頁圖示供參考, 最終以品固公司正式圖面為主  
The plastic tolerance is just for your reference; all the measurements and dimensions are according to the "DATA SHEET" issued by PINGOOD.

MATERIAL: SANTOPRENE 251-92 V0  
or EQUIVALENT

MATERIAL: N66 V0 or EQUIVALENT

COLOR: BLACK



品固企業股份有限公司  
品基電子(東莞)有限公司  
蘇州品基電子科技有限公司  
東莞市品基商貿有限公司  
鑽隆有限公司  
PINGOOD ENTERPRISE CO.,LTD.

PART NAME:

腳墊  
PLASTIC FOOT

A

SIZE

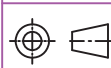
VERSION

1

PART NO:

GL-20M-RJB

SHEET 1 OF 1



UNIT	SCALE
mm	