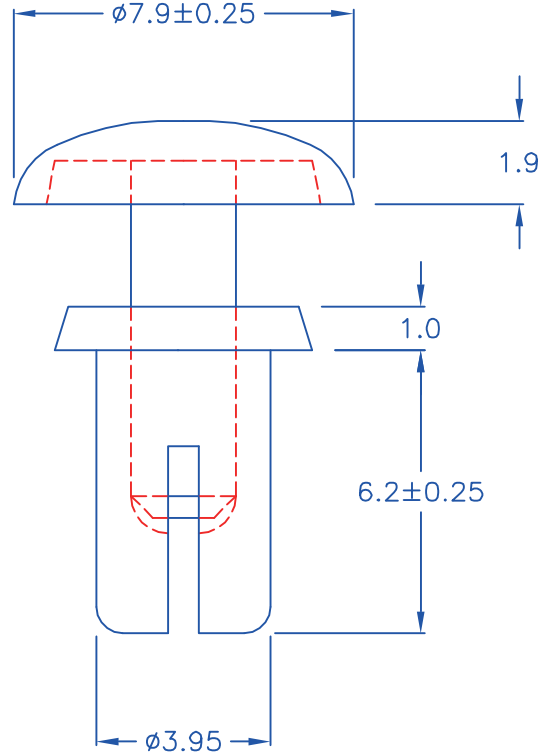


GL-03-R4B

- ◎多溴聯苯類 (PBB)<1000ppm
- ◎多溴聯苯醚類 (PBDE)<1000ppm



SR-4-X

◎ROHS compliant

DRAW NO. PGAS018319

GJS

PLASTIC TOLERANCE:	
L ≤ 10	±0.2
10 < L ≤ 30	±0.3
30 < L ≤ 50	±0.5
50 < L ≤ 100	±0.7
100 < L ≤ 250	±1.2
ABOVE 250	±1.5

網頁圖示供參考，最終以品固公司正式圖面為主  
The plastic tolerance is just for your reference; all the measurements and dimensions are according to the "DATA SHEET" issued by PINGOOD.



品固企業股份有限公司  
品基電子(東莞)有限公司  
蘇州品基電子科技有限公司  
鑽隆有限公司  
PINGOOD ENTERPRISE CO.,LTD.

GL-03-R4B: SANTOPRENE 251-80  
or EQUIVALENT

PART NAME:

腳墊  
PLASTIC FOOT

A

SIZE

VERSION

2A

SR-4-X: N66 V2 or EQUIVALENT

PART NO:

GL-03-10

SHEET 1 OF 1



UNIT	SCALE
mm	

COLOR: BLACK