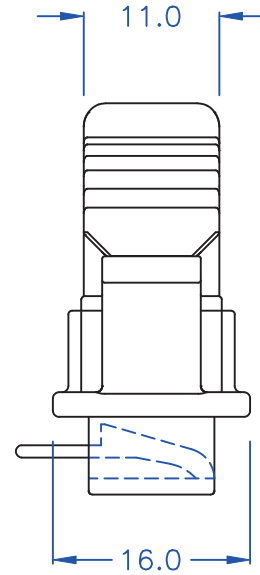
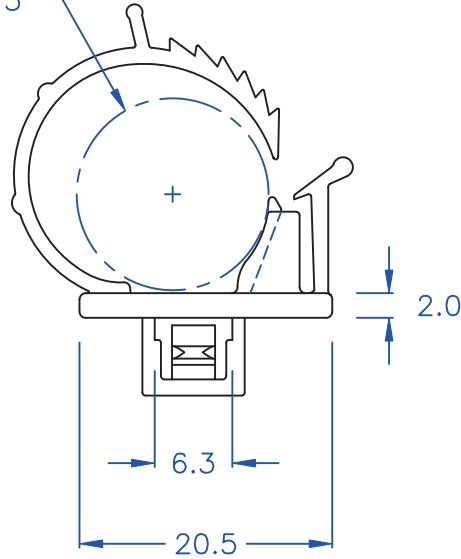


CLOSE DIA:  
 $\phi 11.5 \sim \phi 15.3$



- ◎Halogen Free 低鹵
- ◎ROHS 2.0
- ◎ROHS 六項 compliant

DRAW NO. PGAS032541

GJS

**PLASTIC TOLERANCE:**

$L \leq 10$	$\pm 0.2$
$10 < L \leq 30$	$\pm 0.3$
$30 < L \leq 50$	$\pm 0.5$
$50 < L \leq 100$	$\pm 0.7$
$100 < L \leq 250$	$\pm 1.2$
ABOVE 250	$\pm 1.5$

網頁圖示供參考, 最終以品固公司正式圖面為主  
 The plastic tolerance is just for your reference; all the measurements and dimensions are according to the "DATA SHEET" issued by PINGOOD.

**MATERIAL:** N66 V2 or EQUIVALENT

**COLOR:** BLACK



品固企業股份有限公司  
 品基電子(東莞)有限公司  
 蘇州品基電子科技有限公司  
 東莞市鑽隆商貿有限公司  
 PINGOOD ENTERPRISE CO.,LTD.

**PART NAME:**

**電源線固定座**  
**POWER CORD MOUNTING**

**PART NO.:**

**FWM-15QL-N2B**

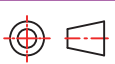
**A**

SIZE

VERSION

1

SHEET 1 OF 1



UNIT	SCALE
mm	