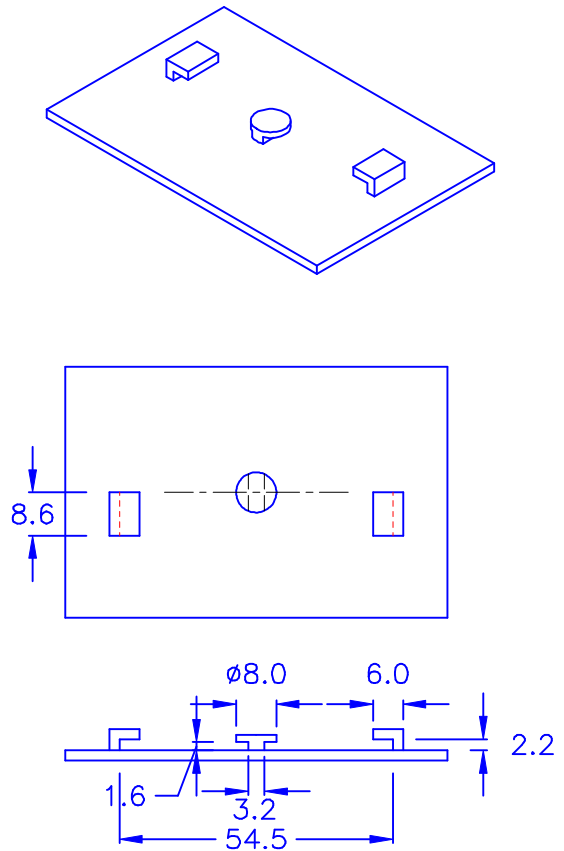


◎ HOLE IN DIMENSIONS:



- ◎Halogen Free 低鹵
- ◎ROHS 2.0
- ◎ROHS 六項 compliant

DRAW NO. PGAS024057

GJS

PLASTIC TOLERANCE:

|                    |           |
|--------------------|-----------|
| $L \leq 10$        | $\pm 0.2$ |
| $10 < L \leq 30$   | $\pm 0.3$ |
| $30 < L \leq 50$   | $\pm 0.5$ |
| $50 < L \leq 100$  | $\pm 0.7$ |
| $100 < L \leq 250$ | $\pm 1.2$ |
| ABOVE 250          | $\pm 1.5$ |

網頁圖示供參考, 最終以品固公司正式圖面為主

The plastic tolerance is just for your reference; all the measurements and dimensions are according to the "DATA SHEET" issued by PINGOOD.

MATERIAL: N66 V2 or EQUIVALENT

COLOR: BLACK



品固企業股份有限公司  
品基電子(東莞)有限公司  
蘇州品基電子科技有限公司  
鑽隆有限公司  
PINGOOD ENTERPRISE CO.,LTD.

PART NAME:

電線固定座  
WIRE MOUNT

A  
SIZE

VERSION

2A

PART NO:

FWJ-01-N2B

SHEET 1 OF 1

|  |      |       |
|--|------|-------|
|  | UNIT | SCALE |
|  | mm   |       |