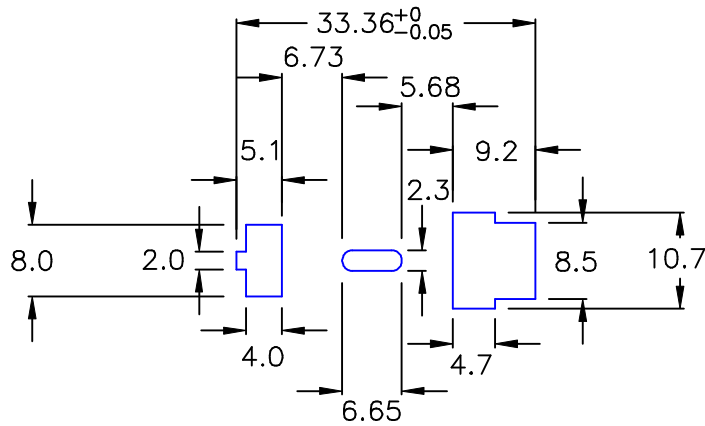


© HOLE IN CHASSIS: TOLERANCE $+0.05$
 -0



© CHASSIS THICKNESS: 0.8 mm

©Halogen Free
©ROHS compliant

DRAW NO. PGAS020083

GJS

PLASTIC TOLERANCE:
L ≤ 10 ± 0.2
10 < L ≤ 30 ± 0.3
30 < L ≤ 50 ± 0.5
50 < L ≤ 100 ± 0.7
100 < L ≤ 250 ± 1.2
ABOVE 250 ± 1.5

網頁圖示供參考, 最終以品固公司正式圖面為主
The plastic tolerance is just for your reference; all the measurements and dimensions are according to the "DATA SHEET" issued by PINGOOD.

MATERIAL: N66 V2 or EQUIVALENT
COLOR: BLACK



品固企業股份有限公司
品基電子(東莞)有限公司
蘇州品基電子科技有限公司
鑽隆有限公司
PINGOOD ENTERPRISE CO.,LTD.

PART NAME:

電線固定座
WIRE MOUNT

PART NO:

FCQ-19A-N2B

A

SIZE

VERSION

1

	UNIT	SCALE
	mm	

SHEET 1 OF 1

表單號碼QF135