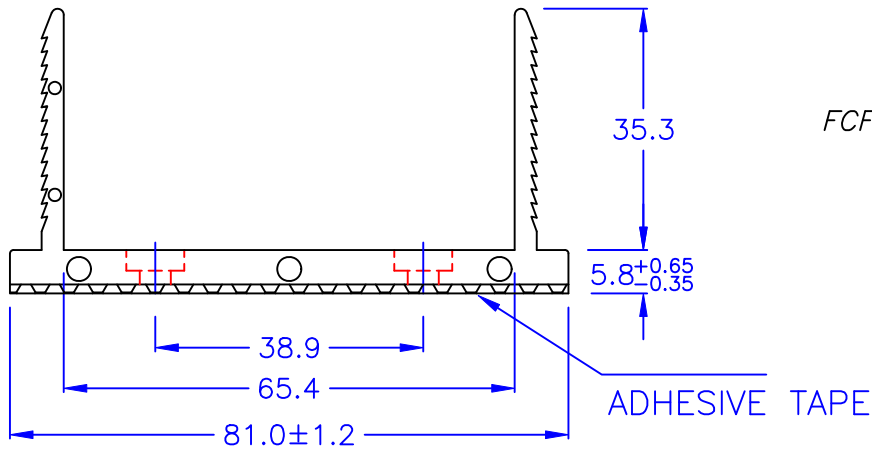
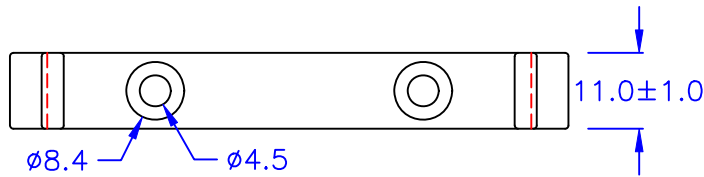
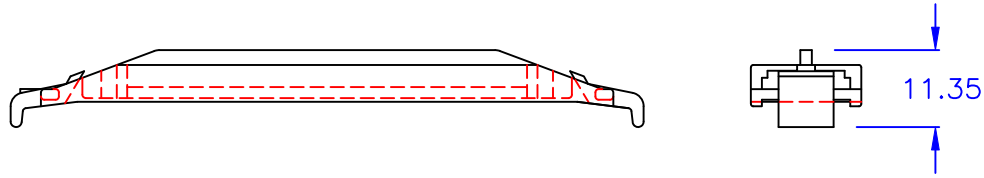


FCF-50-1



FCF-50-2-NQW

◎ 高度不含離形紙厚度

◎Halogen Free 低鹵

DRAW NO. PGAS027307

GJS

PLASTIC TOLERANCE:	
L ≤ 10	±0.2
10 < L ≤ 30	±0.3
30 < L ≤ 50	±0.5
50 < L ≤ 100	±0.7
100 < L ≤ 250	±1.2
ABOVE 250	±1.5

網頁圖示供參考,最終以品固公司正式圖面為主  
The plastic tolerance is just for your reference; all the measurements and dimensions are according to the "DATA SHEET" issued by PINGOOD.

MATERIAL: N66 V2 or EQUIVALENT

COLOR: NATURAL

ADHESIVE TAPE: 3M (1600T) or EQUIVALENT

THICKNESS OF ADHESIVE TAPE : 0.8<sup>+0.45</sup><sub>-0.15</sub>mm



品固企業股份有限公司  
品基電子(東莞)有限公司  
蘇州品基電子科技有限公司  
東莞市鑽隆商貿有限公司  
PINGOOD ENTERPRISE CO.,LTD.

PART NAME:

排線固定板  
FLAT CABLE CLAMP

PART NO:

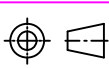
FCF-50-NQW

A  
SIZE

VERSION

1

SHEET 1 OF 1



UNIT SCALE  
mm

表單號碼QF135