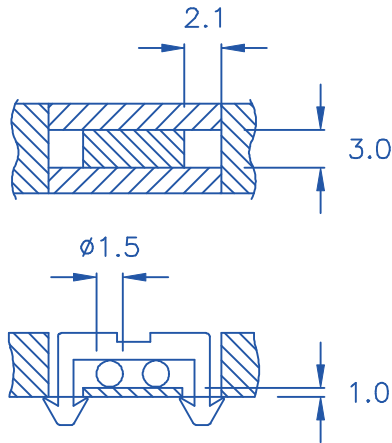


◎ HOLE IN DIMENSIONS:



◎Halogen Free  
◎ROHS compliant

DRAW NO. PGAS019495 GJS

PLASTIC TOLERANCE:		
$L \leq 10$	$\pm 0.2$	
$10 < L \leq 30$	$\pm 0.3$	
$30 < L \leq 50$	$\pm 0.5$	
$50 < L \leq 100$	$\pm 0.7$	
$100 < L \leq 250$	$\pm 1.2$	
ABOVE 250	$\pm 1.5$	

網頁圖示供參考, 最終以品固公司正式圖面為主  
The plastic tolerance is just for your reference; all the measurements and dimensions are according to the "DATA SHEET" issued by PINGOOD.



品固企業股份有限公司  
品基電子(東莞)有限公司  
蘇州品基電子科技有限公司  
鑽隆有限公司  
PINGOOD ENTERPRISE CO.,LTD.

MATERIAL: N66 V2 or EQUIVALENT  
COLOR: BLACK

PART NAME:  
電線固定座  
WIRE MOUNT

A SIZE	VERSION
	2A

UNIT	SCALE
mm	

PART NO: FBA-7A-N2B

SHEET 1 OF 1

表單號碼QF135