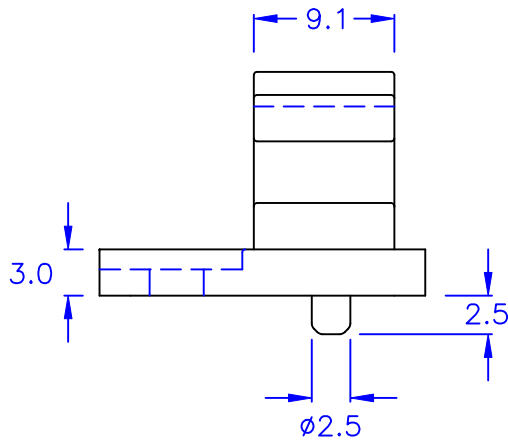
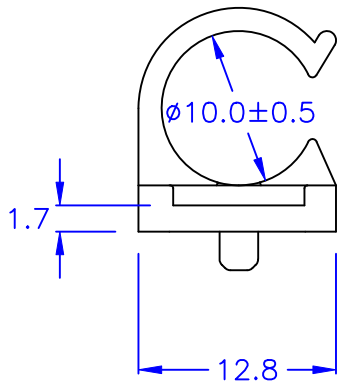
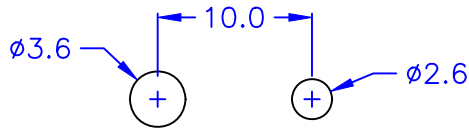


◎ HOLE IN CHASSIS:



- ◎ Halogen Free 低鹵
- ◎ ROHS 2.0
- ◎ ROHS 六項 compliant

DRAW NO. PGAS032395

GJS

PLASTIC TOLERANCE:		
L ≤ 10	±0.2	
10 < L ≤ 30	±0.3	
30 < L ≤ 50	±0.5	
50 < L ≤ 100	±0.7	
100 < L ≤ 250	±1.2	
ABOVE 250	±1.5	

網頁圖示供參考, 最終以品固公司正式圖面為主
 The plastic tolerance is just for your reference; all the measurements and dimensions are according to the "DATA SHEET" issued by PINGOOD.



品固企業股份有限公司
 品基電子(東莞)有限公司
 蘇州品基電子科技有限公司
 東莞市鑽隆商貿有限公司
 PINGOOD ENTERPRISE CO.,LTD.

MATERIAL: N66 V2 or EQUIVALENT

PART NAME:

電線固定座
 WIRE MOUNT

A
 SIZE

VERSION

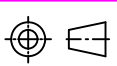
1A

COLOR: NATURAL

PART NO:

FAF-10-N2W

SHEET 1 OF 1



UNIT	SCALE
mm	