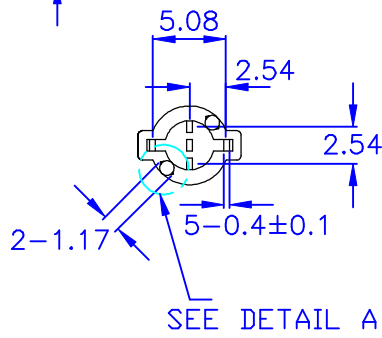
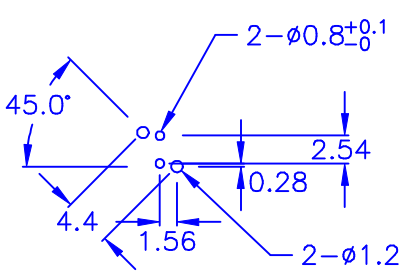
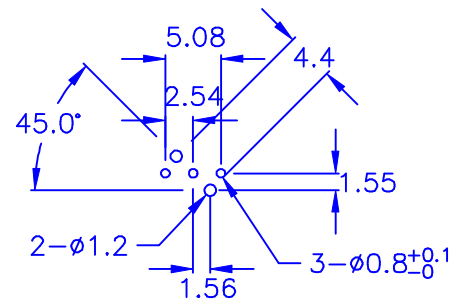


HOLE IN P.C.B FOR $\phi 3$ 2PIN LED:



HOLE IN P.C.B FOR $\phi 3$ 3PIN LED:



- ◎Halogen Free 低鹵
- ◎ROHS 2.0
- ◎ROHS 六項 compliant

DRAW NO. PGAS025316 GJS

PLASTIC TOLERANCE: $L \leq 10$ ± 0.2 $10 < L \leq 30$ ± 0.3 $30 < L \leq 50$ ± 0.5 $50 < L \leq 100$ ± 0.7 $100 < L \leq 250$ ± 1.2 ABOVE 250 ± 1.5	網頁圖示供參考, 最終以品固公司正式圖面為主 The plastic tolerance is just for your reference; all the measurements and dimensions are according to the "DATA SHEET" issued by PINGOOD.	
	MATERIAL: N66 V2 or EQUIVALENT	
	COLOR: NATURAL	
	UNIT mm	SCALE

	品固企業股份有限公司 品基電子(東莞)有限公司 蘇州品基電子科技有限公司 鑽隆有限公司 PINGOOD ENTERPRISE CO.,LTD.	
	PART NAME: LED座 LED HOUSING	VERSION A 1
PART NO: EQF-19-N2W	SHEET 1 OF 1	