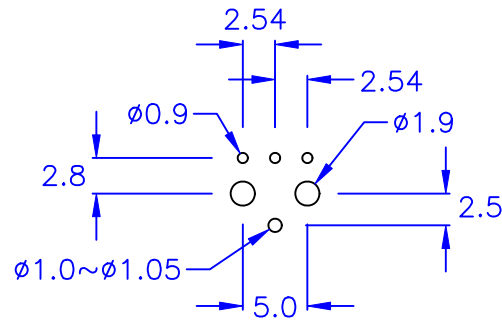


◎ CHASSIS THICKNESS: 1.6 mm

◎ HOLE IN PCB:



- ◎ Halogen Free 低鹵
- ◎ ROHS 2.0
- ◎ ROHS 六項 compliant

DRAW NO. PGAS032915

GJS

PLASTIC TOLERANCE:

L ≤ 10	±0.2
10 < L ≤ 30	±0.3
30 < L ≤ 50	±0.5
50 < L ≤ 100	±0.7
100 < L ≤ 250	±1.2
ABOVE 250	±1.5

網頁圖示供參考, 最終以品固公司正式圖面為主

The plastic tolerance is just for your reference; all the measurements and dimensions are according to the "DATA SHEET" issued by PINGOOD.

MATERIAL: N66 V0 or EQUIVALENT

COLOR: NATURAL



品固企業股份有限公司
品基電子(東莞)有限公司
蘇州品基電子科技有限公司
東莞市鉞隆商貿有限公司
鑽隆有限公司
PINGOOD ENTERPRISE CO.,LTD.

PART NAME:

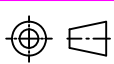
LED 座
LED HOUSING

A	VERSION
	1B
SIZE	

PART NO:

EEF-18ANOW

SHEET 1 OF 1



UNIT	SCALE
mm	